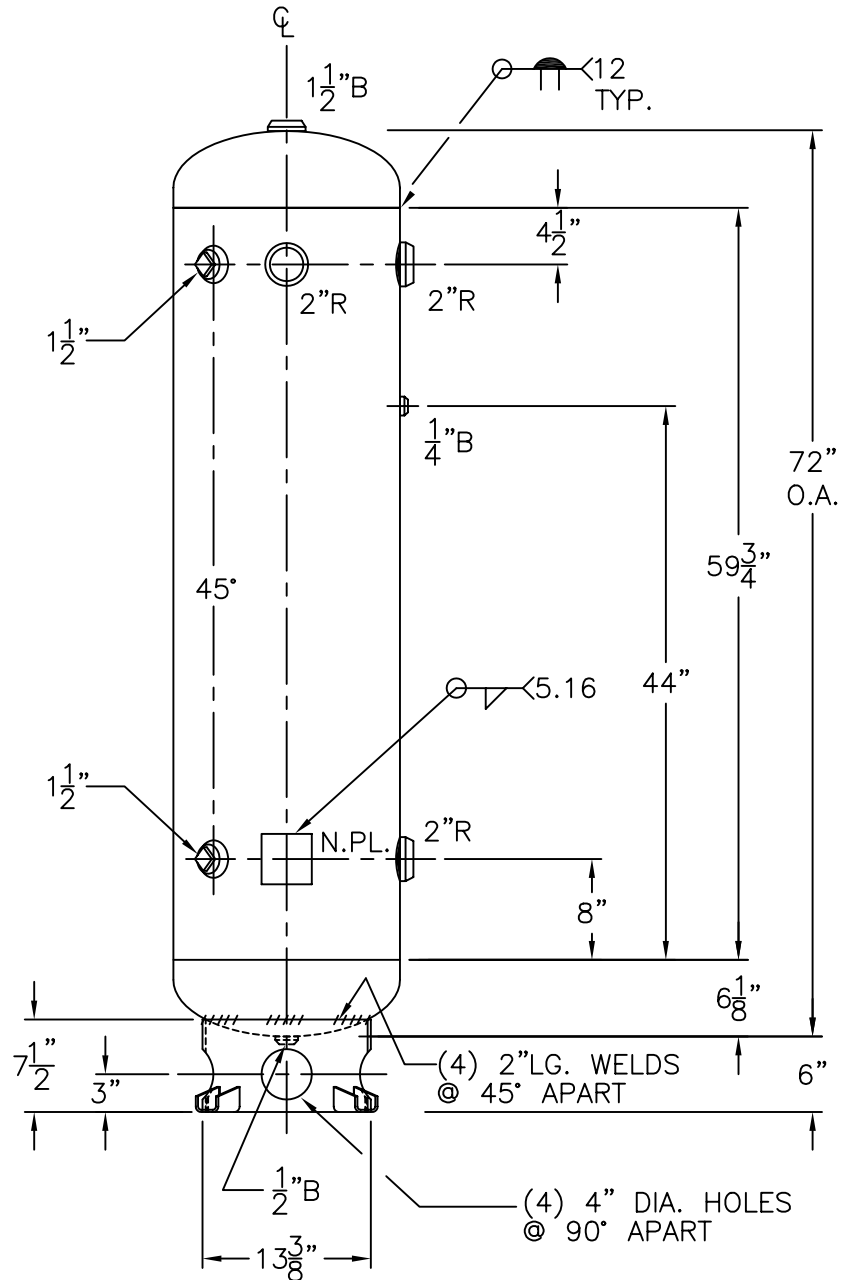
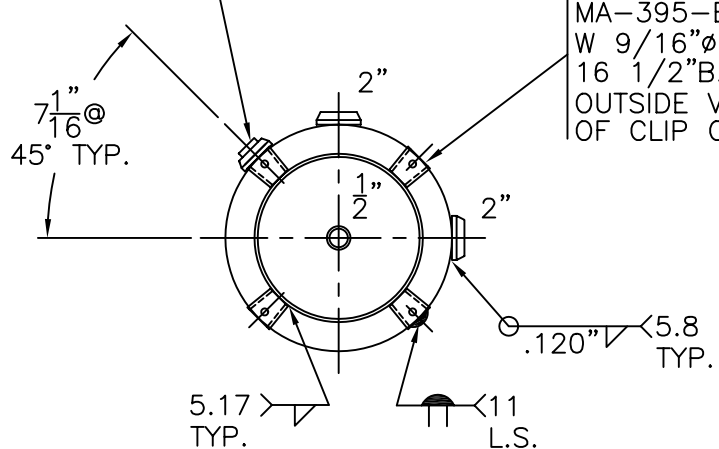


1 1/2" R W/ C.I. PLUG  
 INSP. OPENING  
 (2) PLC'S.



(2) 1 1/2"  
 IN LINE

3/16" THK. CLIPS PER  
 MA-395-B (4) PLC'S  
 W 9/16" Ø HOLE ON  
 16 1/2" B.C.; WELD  
 OUTSIDE VERT. EDGE  
 OF CLIP ONLY



NOTE: 1) HYDRO @ 327 PSIG. MIN.

SHELL / HEADS	
.135" SA-414-G	2:1 S.E.
JOGGLE	
.164" SA-414-G	
M.A.W.P.	250 PSIG. @ 400 °F
M.D.M.T.	-20 °F @ 250 PSIG.
ASME SECTION VIII	DIV. 1, 2004 ADD 2005
X-RAY:	RT-NO
GALLONS:	73
SERIAL NO.	WT. 222 LBS.
N.B.	

18-VC-73-R	REV. 4-5-06
FOR: HANSON STANDARD	DATE: 6-28-93
VERT. AIR TANK	
INSIDE: UNPAINTED	
OUTSIDE: PRIME	
BY: J.G.	SCALE: 3/4" = 12"
<b>ROY F. HANSON JR. MFG.</b>	
1924 COMPTON AVE.	
LOS ANGELES, CA 90011	