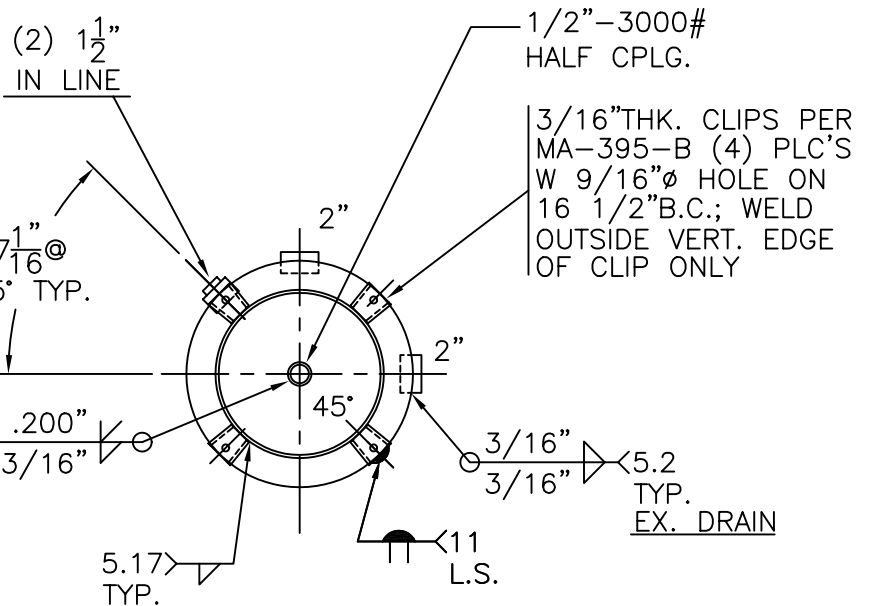
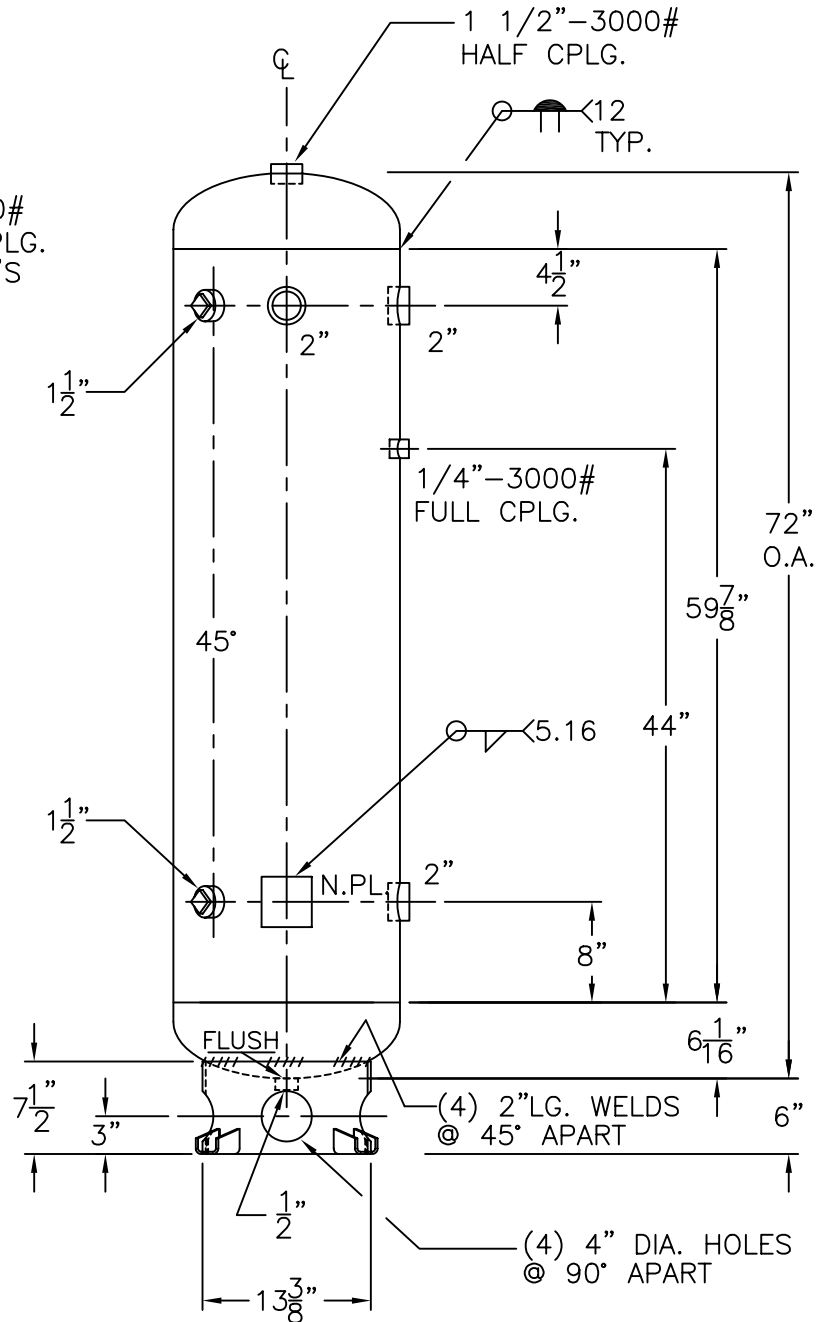
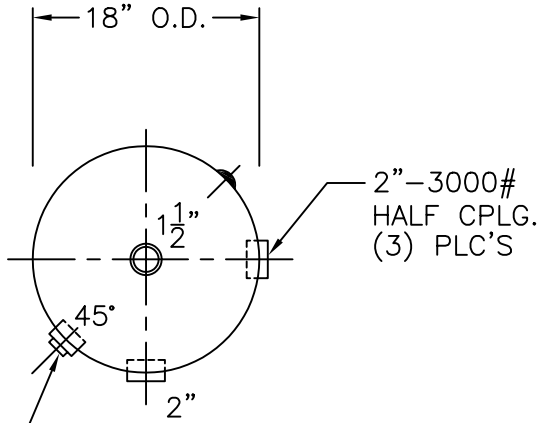


1 1/2"-3000# H.C.
W/STL. PLUG
INSP. OPENING
(2) PLC'S.



NOTE: 1) HYDRO @ 521 PSIG. MIN.

SHELL / HEADS	
.200" SA-455	2:1 S.E.
(.195" MIN.) JOGGLE	-209 OFFSET
.245" SA-455	
M.A.W.P.	400 PSIG. @ 400 °F
M.D.M.T.	-20 °F @ 400 PSIG.
ASME SECTION VIII	DIV. 1, 2004 ADD 2005
X-RAY:	RT-NO
GALLONS:	73
SERIAL NO.	WT. 309 LBS.
N.B.	

18-VJ-73-R	REV. 9-22-06
FOR: HANSON STANDARD	DATE: 12-23-84
VERT. AIR TANK	
INSIDE: UNPAINTED	
OUTSIDE: PRIME	
BY: J.G.	SCALE: 3/4"=12"
ROY F. HANSON JR. MFG.	
1600 E. WASHINGTON BLVD.	
LOS ANGELES, CA 90021	