

1 1/2"-3000# H.C.
W/STL. PLUG
INSP. OPENING
(2) PLC'S

1 1/2"-3000#
HALF CPLG.

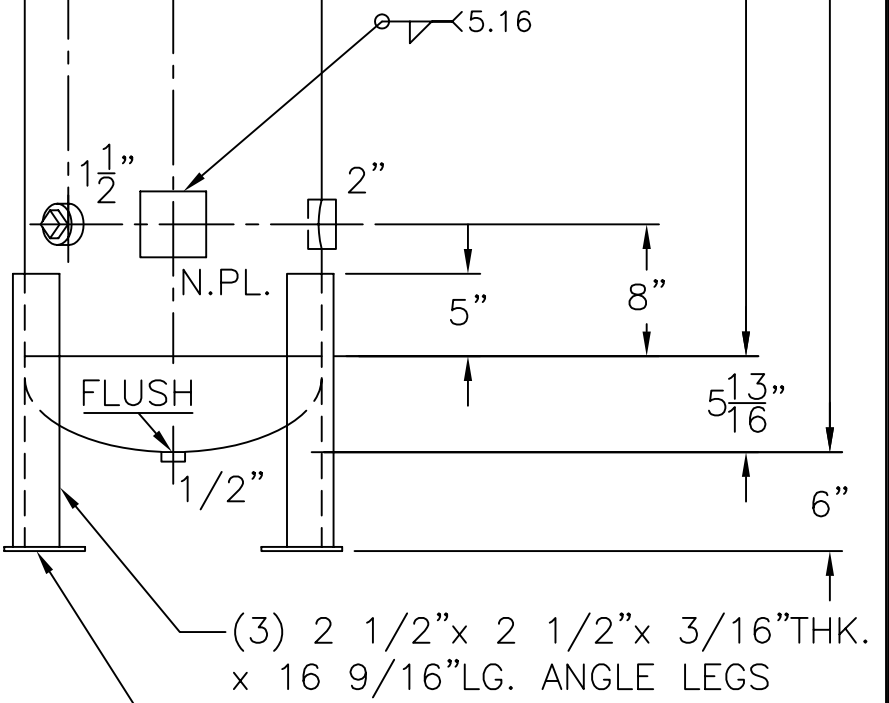
5/16" 5/16" 5.2 FC
TYP. EX. 1/4"
AND DRAIN

1/4"-3000#
FULL CPLG.

5/32" 5/32" 5.2 FC

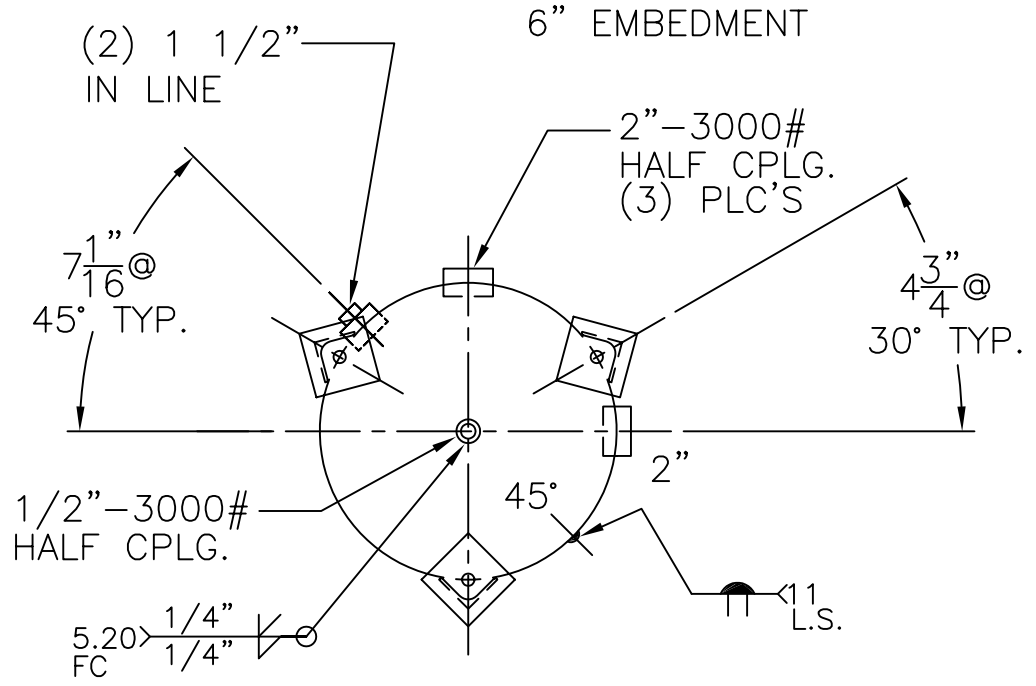
75" O.A.

63 3/8"



(3) 2 1/2" x 2 1/2" x 3/16" THK.
x 16 9/16" LG. ANGLE LEGS

(3) 4" x 4" x 1/4" THK.
PAD W/3/4" Ø HOLE
FOR 1/2" Ø x 8" LG. BOLTS
GRADE 5 OR BETTER
6" EMBEDMENT



(2) 1 1/2"
IN LINE

2"-3000#
HALF CPLG.
(3) PLC'S

1/2"-3000#
HALF CPLG.

5.2 FC 1/4" 1/4"

11 L.S.

NOTE: 1) NO CORROSION ALLOWANCE.
2) IMPACT TESTED? NO UG-20 (f)
3) HYDRO @ 858 PSIG. MIN.

SHELL / HEADS		18-VN-73-L	
BEVEL	.338" SA-455 2:1 S.E.	REV. 4-1-09	DATE: 12-28-84
		FOR: HANSON STANDARD	
		VERT. AIR TANK	
		INSIDE: UNPAINTED	
		OUTSIDE: PRIME	
M.A.W.P.	660 PSIG. @ 400 °F	CAD-"B" SIZED UNDER "STD"-SERIES	
M.D.M.T.	-20 °F @ 660 PSIG.	LEG ZONE: 4-15 KM.	
ASME. SECTION VIII	DIV. 1, 2007 ADD 2008	BY: J.G. SCALE: 1"=12"	
X-RAY:	RT-4 SPOT L.S. ONLY	ROY E. HANSON JR. MFG.	
GALLONS:	73 WT. 475 LBS.	1600 E. WASHINGTON BLVD.	
SERIAL NO.		LOS ANGELES, CA 90021	
N.B.			