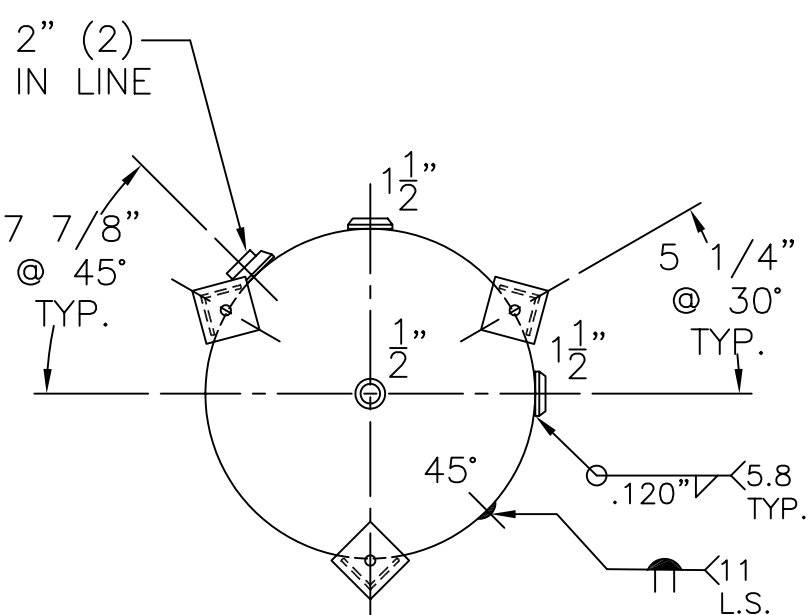


(3) 2 1/2" x 2 1/2" x 3/16" THK.
x 18 1/16" LG. ANGLE LEGS

(3) 4" x 4" x 1/4" THK.
PAD W/ 3/4" Ø HOLE
FOR 1/2" Ø x 8" LG. BOLTS
GRADE 5 OR BETTER
6" EMBEDMENT



NOTE: 1) HYDRO @ 325 PSIG. MIN.

SHELL / HEADS		.166" SA-414-G 2:1 S.E.	
JOGGLE - .149" OFFSET			
M.A.W.P. 250 PSIG. @ 400 °F			
M.D.M.T. -20 °F @ 250 PSIG.			
ASME SECTION VIII DIV. 1, 2007 ADD 2009			
X-RAY: RT-NO			
GALLONS: 80	WT. 219 LBS.		
SERIAL NO.			
N.B.			
INSIDE: UNPAINTED		20-VC-80-1	
OUTSIDE: PRIME		REV. 9-17-10	
VERT. AIR TANK		DATE: 1-20-03	
FOR: HANSON STANDARD			
LEG-ZONE 4-15 KM.			
BY: E.S.		SCALE: 1"=12"	
CAD "B" SIZE UNDER "STD"-SERIES			
ROY E. HANSON JR. MFG.			
1600 E. WASHINGTON BLVD.			
LOS ANGELES, CA 90021			