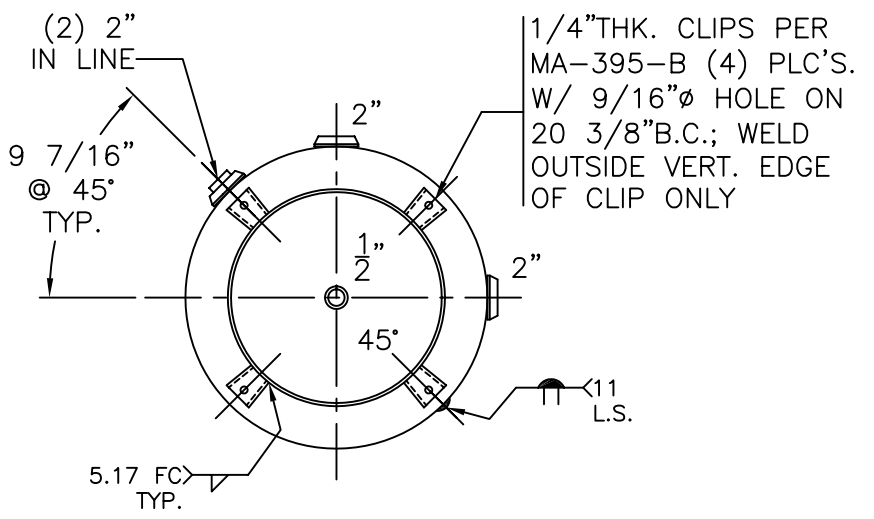
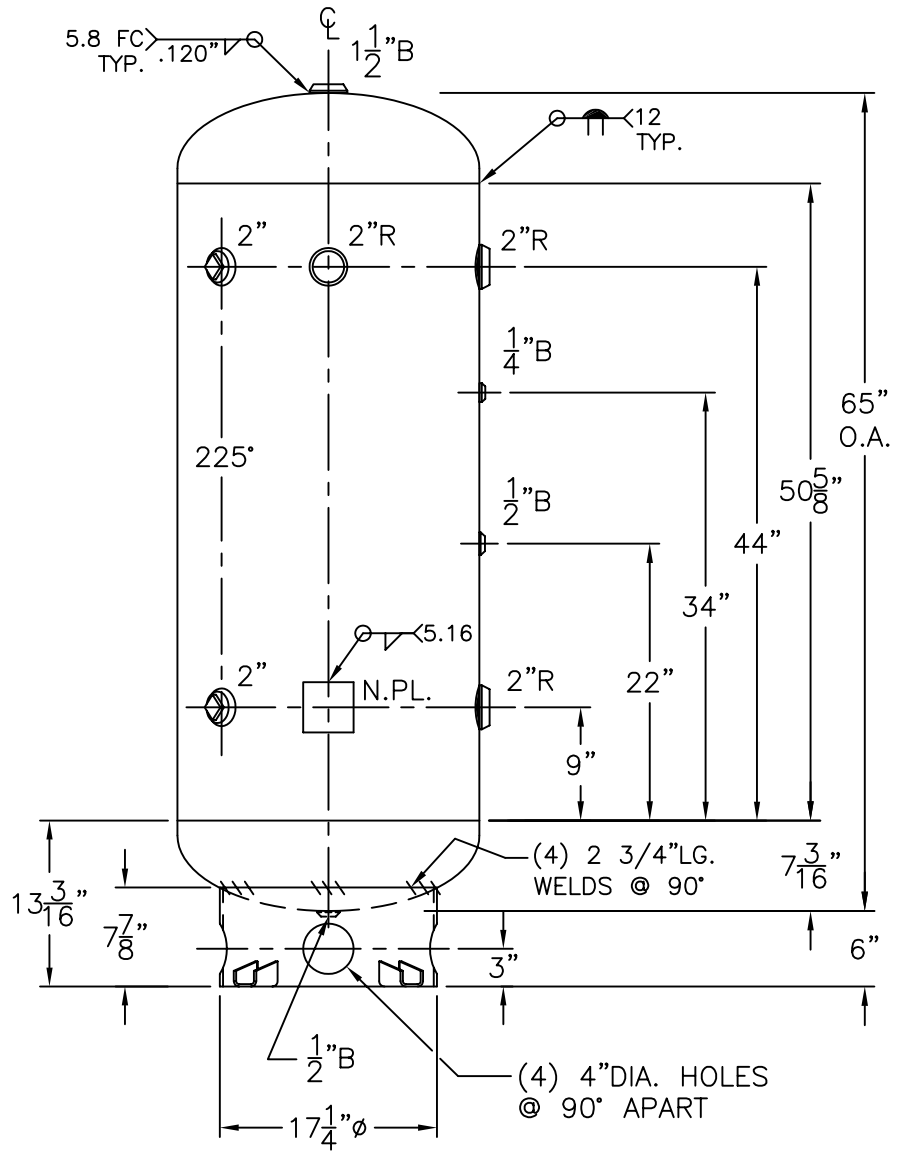


2"R W/ C.I. PLUG  
FOR INSPECTION  
OPENINGS  
(2) PLC'S.



NOTE: 1) HYDRO @ 392 PSIG. MIN.

SHELL / HEADS	
.200" SA-455	2.1: S.E.
JOGGLE - .209" OFFSET	
.200" SA-455	
M.A.W.P.	300 PSIG. @ 400 °F
M.D.M.T.	-20 °F @ 300 PSIG.
ASME: SECTION VIII	DIV. 1, 2007 ADD 2007
X-RAY:	RT-4 SPOT L.S. ONLY
GALLONS:	120
SERIAL NO.	WT. 344 LBS.
N.B.	

<b>24-VD-120-R</b>		REV. 9-26-08
FOR: HANSON STANDARD		DATE: 1-27-89
VERT. AIR TANK		
INSIDE: UNPAINTED		
OUTSIDE: PRIME		
BY: E.S.	SCALE: 3/4"=12"	
<b>ROY F. HANSON JR. MFG.</b>		
1600 E. WASHINGTON BLVD.		
LOS ANGELES, CA 90021		