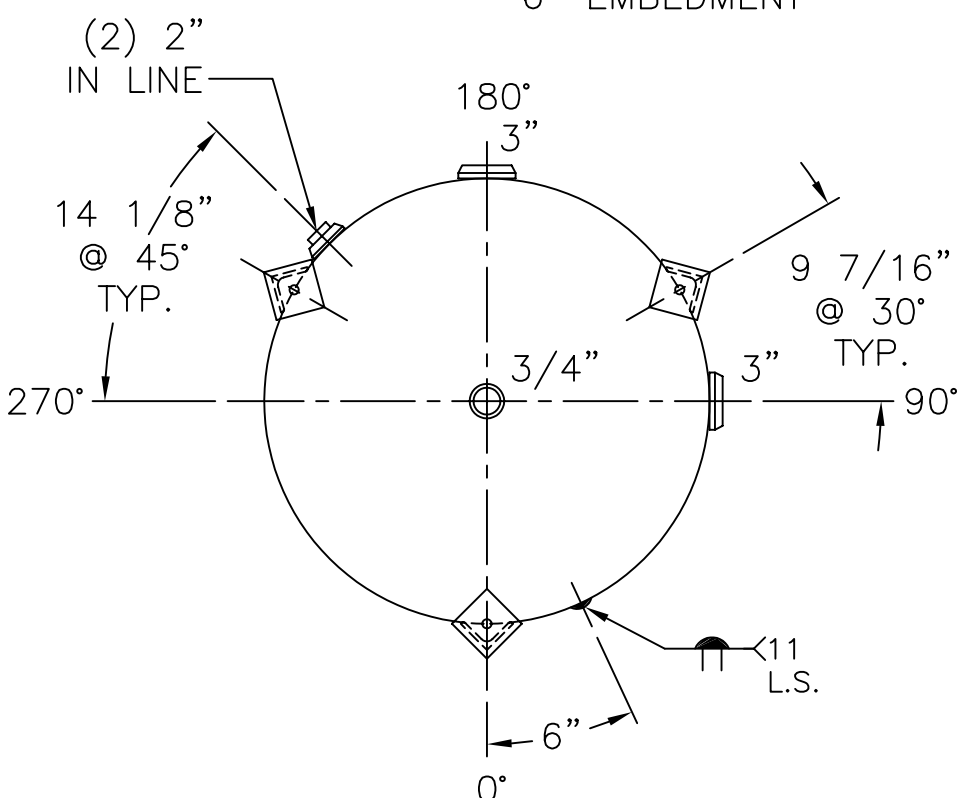


(3) 2 1/2" x 2 1/2" x 3/16" THK.
x 23 1/4" LG. ANGLE LEGS

(3) 4" x 4" x 1/4" THK.
PAD W/ 3/4" ϕ HOLE
FOR 1/2" ϕ x 8" LG. BOLTS
GRADE 5 OR BETTER
6" EMBEDMENT



NOTE: 1) HYDRO @ 260 PSIG. MIN.

SHELL / HEADS		.218" SA-455 2:1 S.E. (.196" MIN.)	
JOGGLE - .209" OFFSET			
.200" SA-455 (.199" MIN.)			
M.A.W.P.	200 PSIG. @ 400 °F		
M.D.M.T.	-20 °F @ 200 PSIG.		
ASME SECTION VIII	DIV. 1, 2010 ADD 2010		
X-RAY:	RT-4 SPOT L.S. ONLY		
GALLONS:	400	WT.	763 LBS.
SERIAL NO.			
N.B.			
36-VA-400-L		REV.	3-22-11
FOR: HANSON STANDARD		DATE:	4-23-99
VERT. AIR TANK			
INSIDE: UNPAINTED			
OUTSIDE: PRIME			
LEG-ZONE 4-15 KM.			
CAD "B" SIZE UNDER "STD"-SERIES			
BY: E.S.	SCALE: 3/4" = 12"		
ROY E. HANSON JR. MFG.			
1600 E. WASHINGTON BLVD.			
LOS ANGELES, CA 90021			