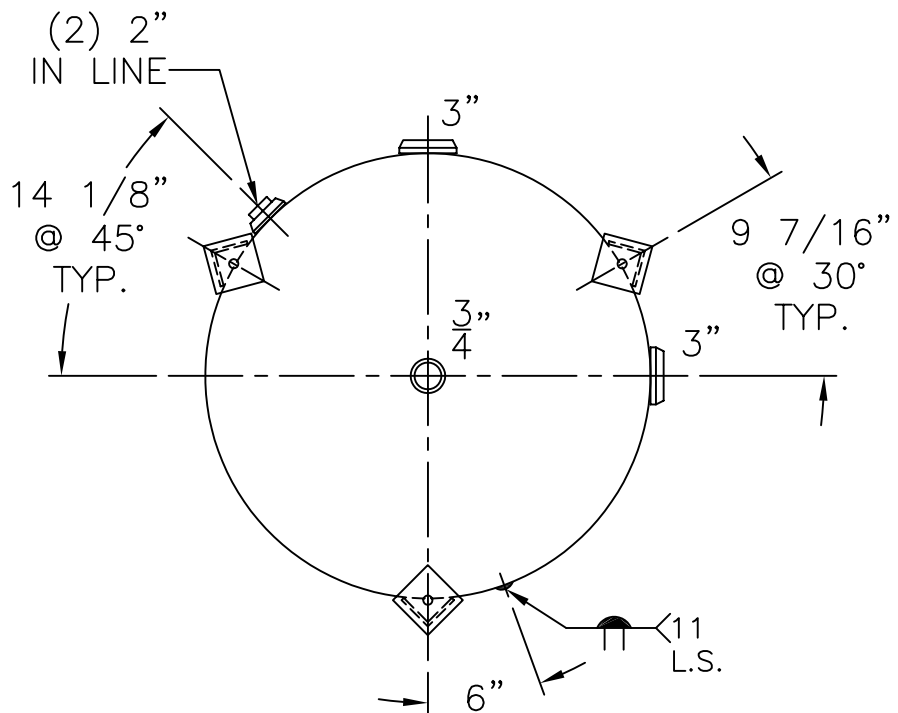


(3) 2 1/2" x 2 1/2" x 3/16" THK. x 23 1/8" LG. ANGLE LEGS

(3) 4" x 4" x 3/8" THK. PAD W/ 7/8" Ø HOLES FOR 5/8" Ø x 8" LG. BOLTS GRADE 5 OR BETTER 6" EMBEDMENT



NOTE: 1) HYDRO @ 390 PSIG. MIN.

SHELL / HEADS	.3125" SA-455 2:1 S.E. (.293" MIN.) TRIM
M.A.W.P.	300 PSIG. @ 400 °F
M.D.M.T.	-20 °F @ 300 PSIG.
ASME SECTION VIII	DIV. 1, 2007 ADD. 2008
X-RAY:	RT-4 SPOT L.S. ONLY
GALLONS:	500 WT. 1345 LBS.
SERIAL NO.	
N.B.	

36-VD-500-L	REV. 11-17-09
FOR: HANSON STANDARD	DATE: 1-2-87
VERT. AIR TANK	
INSIDE: UNPAINTED	
OUTSIDE: PRIME	
LEG-ZONE 4-15 KM.	
CAD-"B" SIZE UNDER "STD"-SERIES	
BY: E.S.	SCALE: 3/4"=12"
ROY E. HANSON JR. MFG.	
1600 E. WASHINGTON BLVD.	
LOS ANGELES, CA 90021	