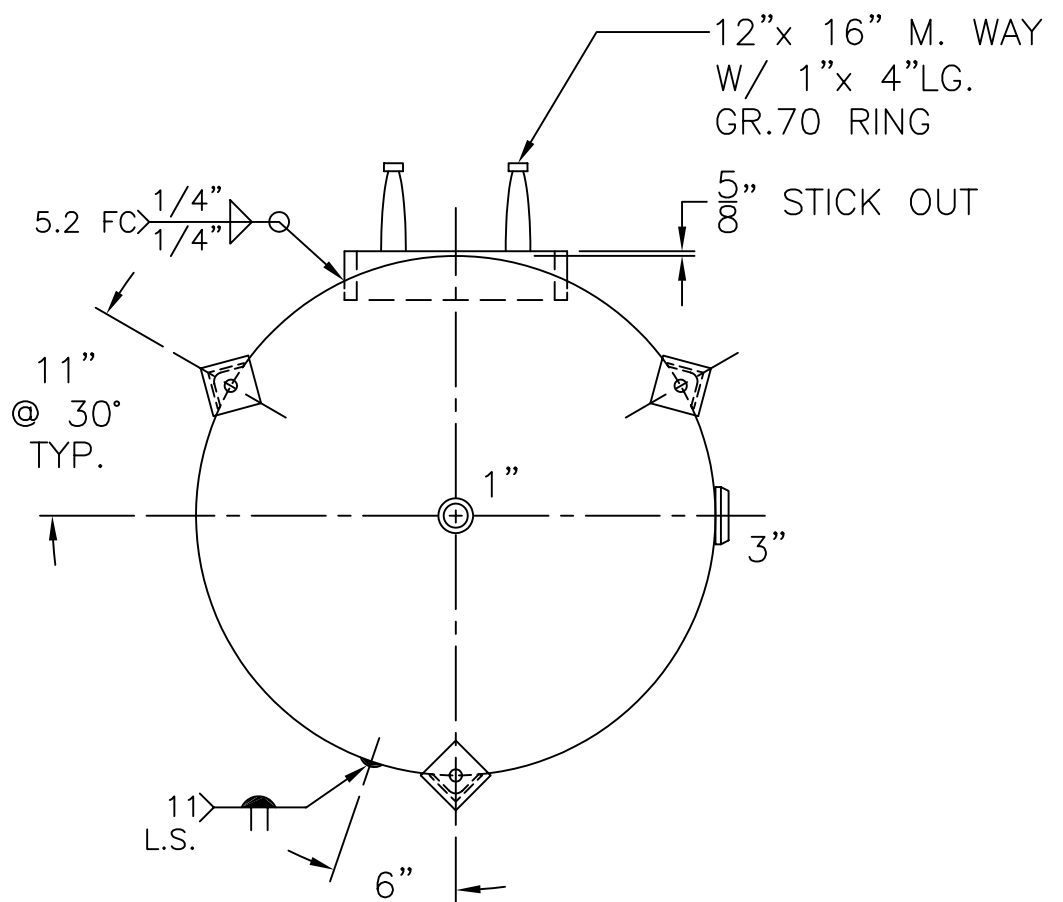


(3) 3" x 3" x 3/16" THK.
x 23 15/16" LG. ANGLE LEGS

(3) 4" x 4" x 1/4" THK.
PAD W/ 3/4" Ø HOLE
FOR 1/2" Ø x 8" LG. BOLTS
GRADE 5 OR BETTER
6" EMBEDMENT



NOTE: 1) HYDRO @ 260 PSIG. MIN.

SHELL / HEADS		.245" SA-455 2:1 S.E.	
JOGGLE			
.250" SA-455			
M.A.W.P.	200 PSIG. @ 400 °F		
M.D.M.T.	-20 °F @ 200 PSIG.		
ASME. SECTION VIII	DIV. 1, 2007 ADD 2009		
X-RAY:	RT-4 SPOT L.S. ONLY		
GALLONS:	660	WT.	1423 LBS.
SERIAL NO.			
N.B.			
INSIDE: UNPAINTED		42-VA-660-L	
OUTSIDE: PRIME		REV. 12-1-10	
LEG-ZONE 4-15 KM.		DATE: 2-5-80	
CAD "B" SIZE UNDER "STD"-SERIES		FOR: HANSON STANDARD	
BY: E.S.		VERT. AIR TANK	
SCALE: 3/4"=12"			
ROY E. HANSON JR. MFG.			
1600 E. WASHINGTON BLVD.			
LOS ANGELES, CA 90021			