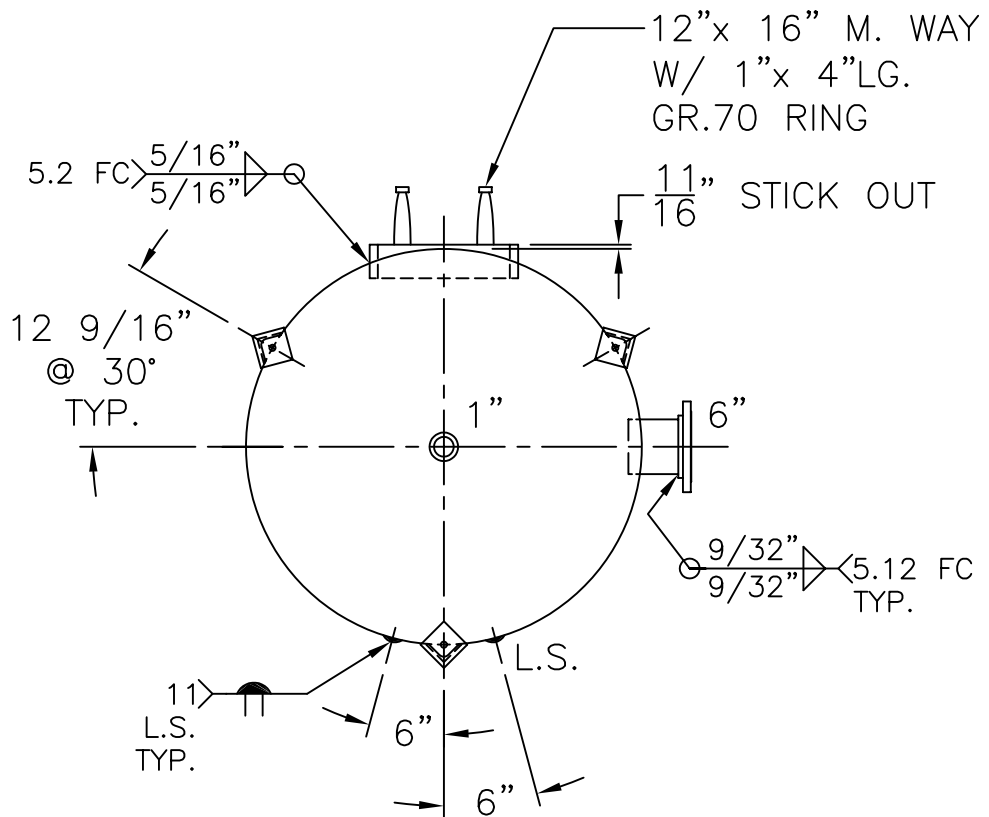


(3) 3"x 3"x 1/4" THK. x 25 3/8" LG. ANGLE LEGS
 (3) 4"x 4"x 3/8" THK. PAD W/ 7/8" Ø HOLE FOR 5/8" Ø x 8" LG. BOLTS GRADE 5 OR BETTER 6" EMBEDMENT



NOTE: 1) HYDRO @ 263 PSIG. MIN.

SHELL / HEADS		.245" SA-455 2:1 S.E. (.223" MIN.) JOGGLE	
M.A.W.P. 200 PSIG. @ 400 °F		.289" SA-455	
M.D.M.T. -20 °F @ 200 PSIG.			
ASME SECTION VIII DIV. 1, 2007 ADD 2007			
X-RAY: RT-4 SPOT L.S. & HDS. G.S.			
GALLONS: 1060 WT. 2080 LBS.			
SERIAL NO.			
N.B.			
48-VA-1060-L		REV. 8-28-08	
FOR: HANSON STANDARD		DATE: 2-7-80	
VERT. AIR TANK			
INSIDE: UNPAINTED			
OUTSIDE: PRIME			
CAD "B" SIZE UNDER "STD"-SERIES			
BY: E.S.		SCALE: 1/2"=12"	
ROY E. HANSON JR. MFG.			
1600 E. WASHINGTON BLVD.			
LOS ANGELES, CA 90021			