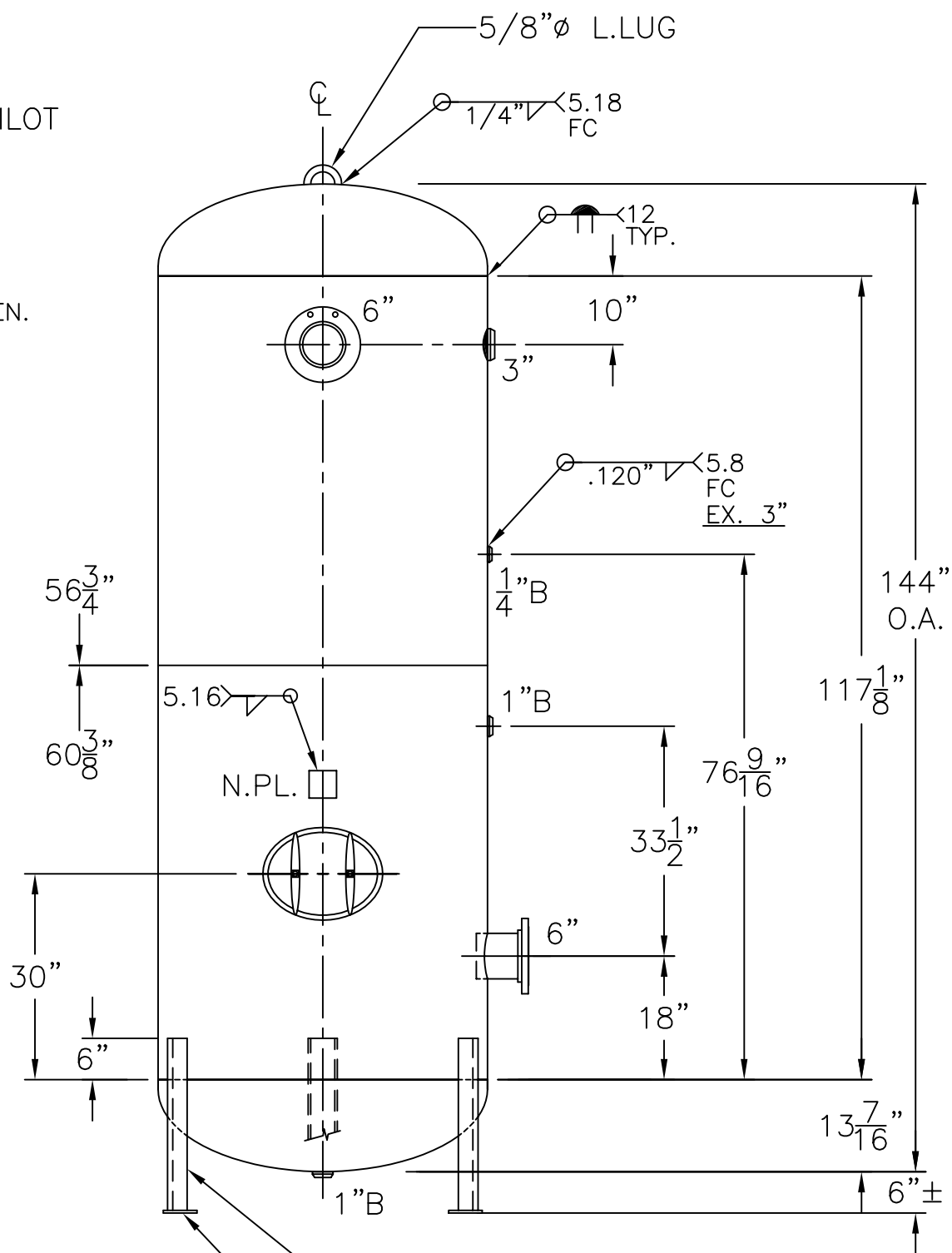
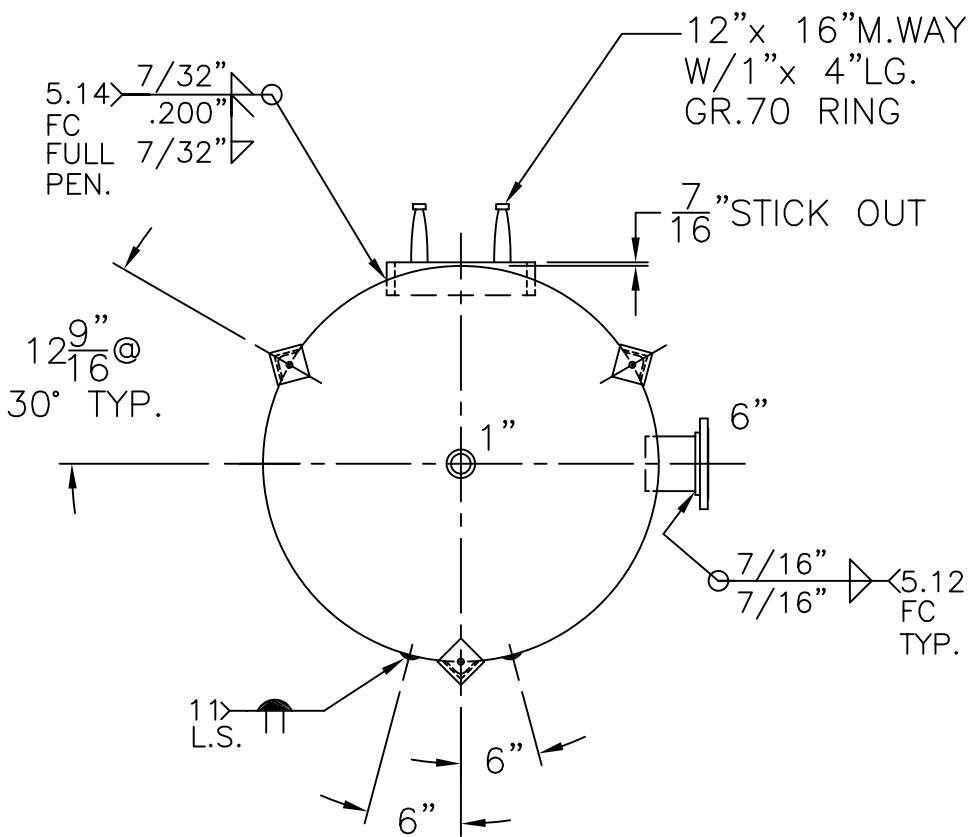


6"-150# R.F.S.O.
 FLG. W/SCH 80
 SA-106-B
 PIPE x 7 5/8"LG.
 (2) PLC'S



(3) 3" x 3" x 1/4" THK.
 x 25 1/16" LG. ANGLE LEGS

(3) 4" x 4" x 3/8" THK.
 PAD W/7/8" Ø HOLE
 FOR 5/8" x 8" LG. BOLTS
 GRADE 5 OR BETTER
 6" EMBEDMENT



NOTE: 1) HYDRO @ 195 PSIG. MIN.

SHELL / HEADS		.250" SA-414-G 2:1 S.E.	
JOGGLE - .208 OFFSET			
.200" SA-455			
M.A.W.P.	150 PSIG. @ 400 °F		
M.D.M.T.	-20 °F @ 150 PSIG.		
ASME SECTION VIII	DIV. 1, 2007 ADD 2008		
X-RAY:	RT-4 SPOT L.S. ONLY		
GALLONS:	1060	WT. 1728	LBS.
SERIAL NO.			
N.B.			
48-VP-1060-L		REV.	6-4-09
FOR: HANSON STANDARD		DATE:	6-19-99
VERT. AIR TANK			
UW-21 (b)			
INSIDE: UNPAINTED			
OUTSIDE: PRIME			
CAD "B" SIZE UNDER "STD"-SERIES			
LEG ZONE: 4-15 KM.			
BY: J.G.	SCALE: 1/2" = 12"		
ROY E. HANSON JR. MFG.			
1600 E. WASHINGTON BLVD.			
LOS ANGELES, CA 90021			