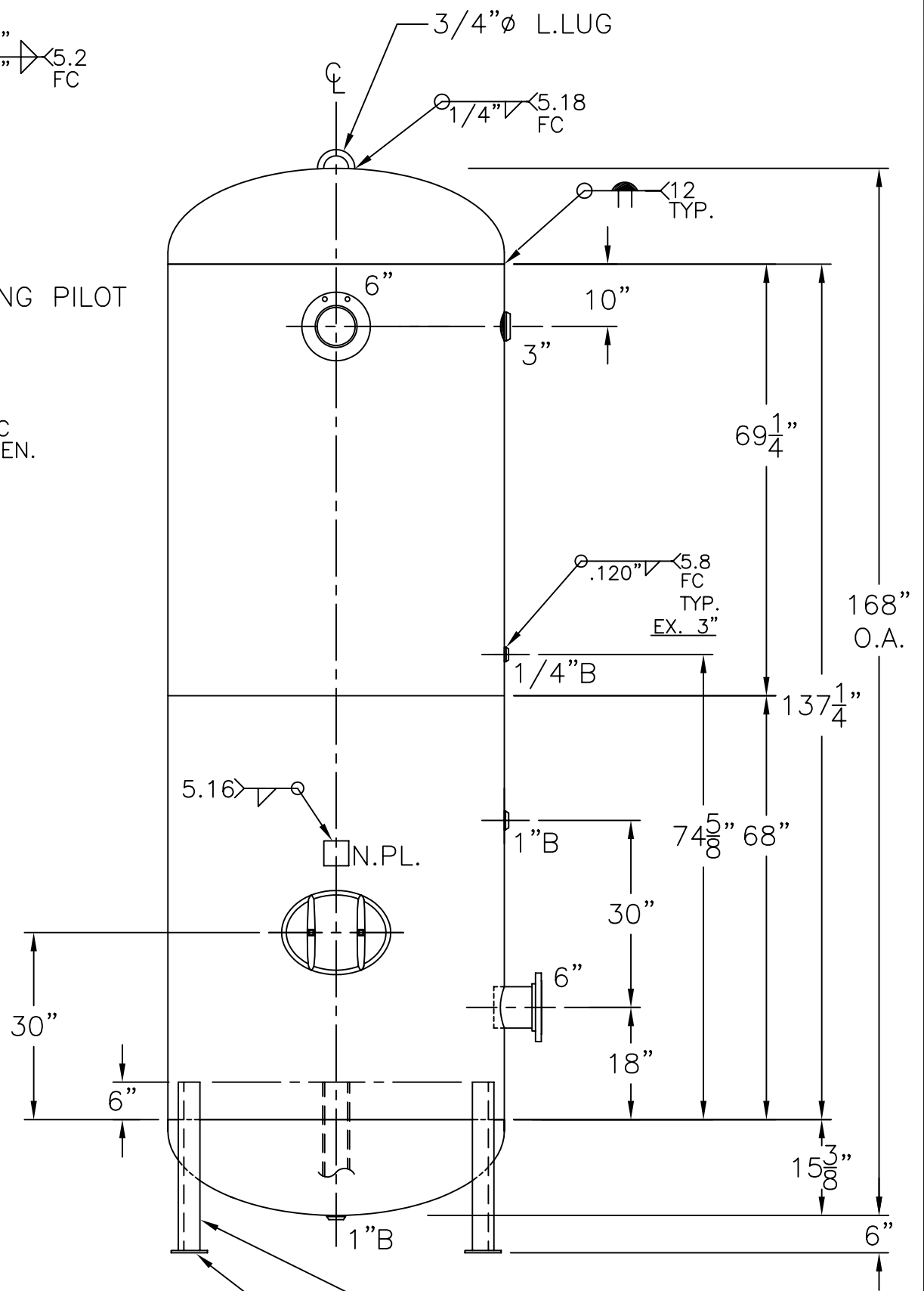
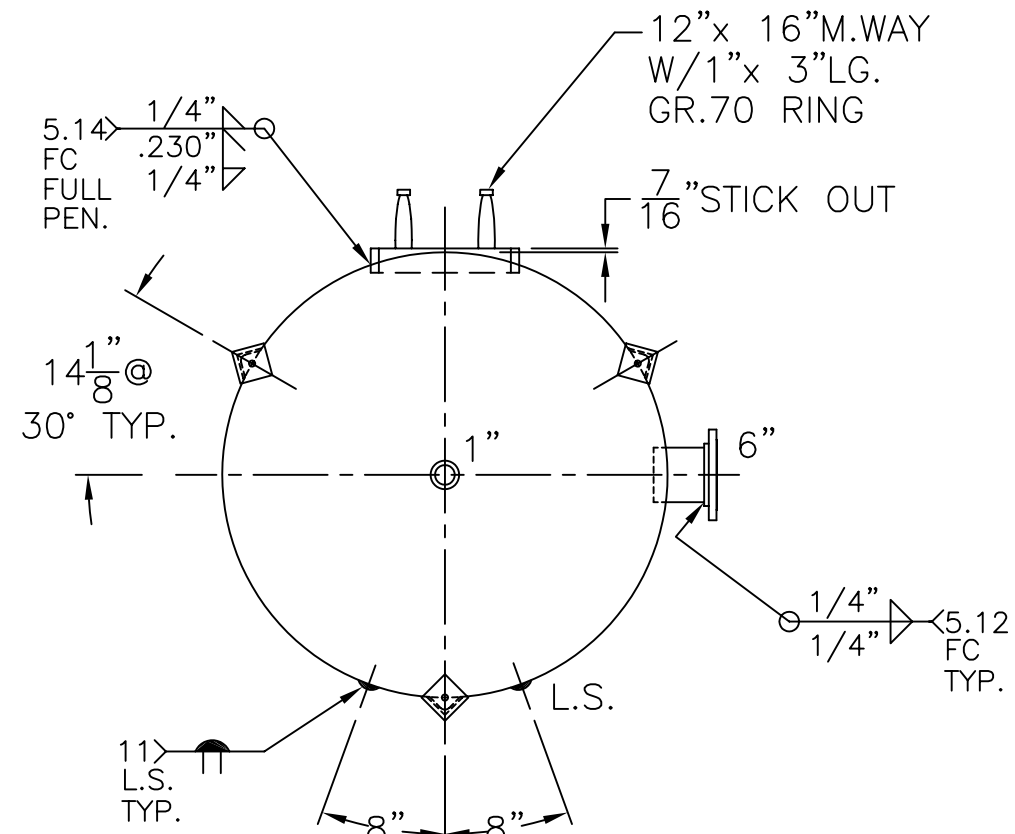


6"-150# R.F.S.O.
 FLG. W/SCH 80
 PIPE x 7 5/8" LG.
 (2) PLC'S



(3) 3" x 3" x 1/4" THK.
 x 27" LG. ANGLE LEGS

(3) 4" x 4" x 3/8" THK.
 PAD W/3/4" Ø HOLE
 FOR 1/2" Ø x 8" LG. BOLTS
 GRADE 5 OR BETTER
 6" EMBEDMENT



NOTE: 1) HYDRO @ 198 PSIG. MIN.

SHELL / HEADS		.250" SA-455 2:1 S.E.	
JOGGLE - .259 OFFSET			
.230" SA-455			
M.A.W.P.	150 PSIG. @ 400 °F		
M.D.M.T.	-20 °F @ 150 PSIG.		
ASME SECTION VIII	DIV. 1, 2007 ADD 2009		
X-RAY:	RT-4 SPOT L.S. ONLY		
GALLONS:	1550	WT. 2387	LBS.
SERIAL NO.			
N.B.			
INSIDE: UNPAINTED		54-VP-1550-L	
OUTSIDE: PRIME		REV. 4-23-10	
CAD "B" SIZE UNDER "STD"-SERIES		DATE: 9-20-84	
BY: J.G.		SCALE: 1/2" = 12"	
ROY E. HANSON JR. MFG.		FOR: HANSON STANDARD	
1600 E. WASHINGTON BLVD.		VERT. AIR TANK	
LOS ANGELES, CA 90021			