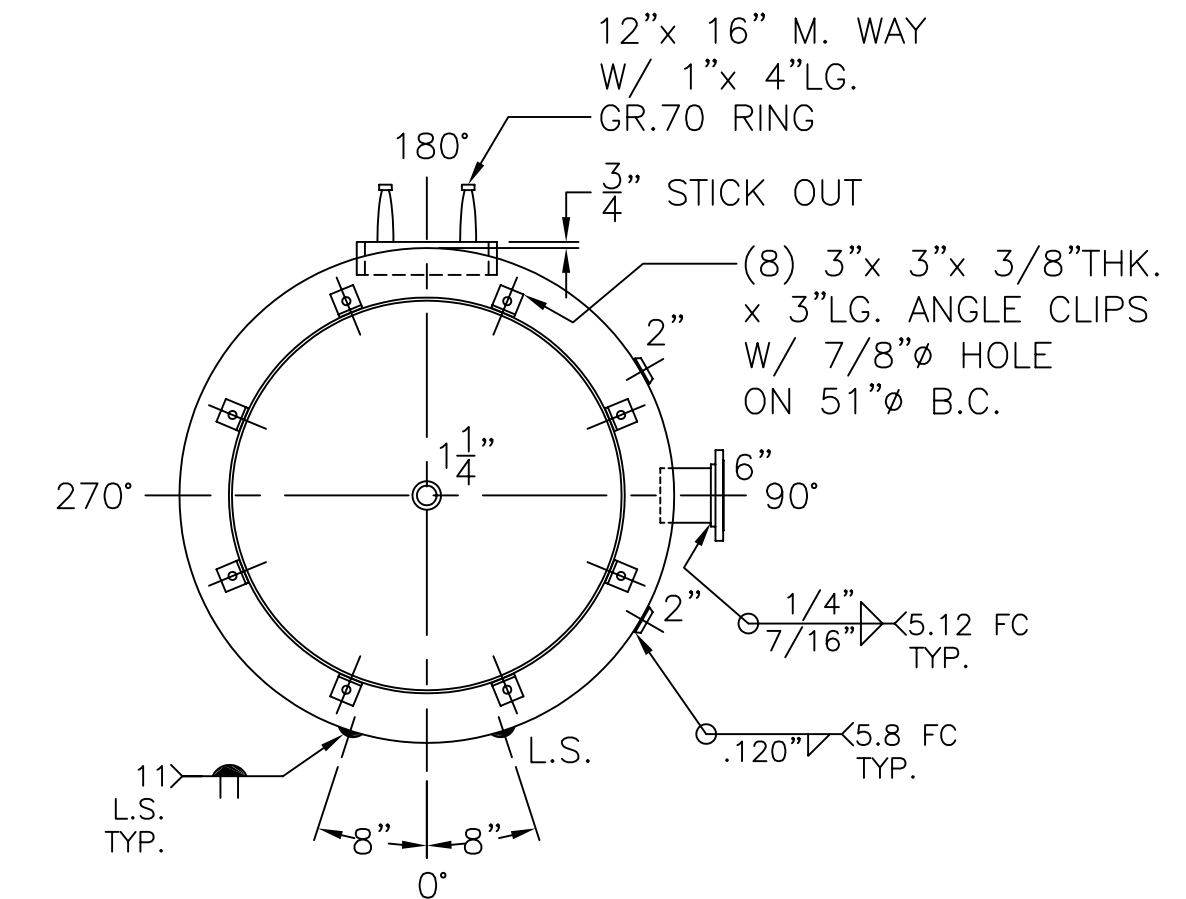
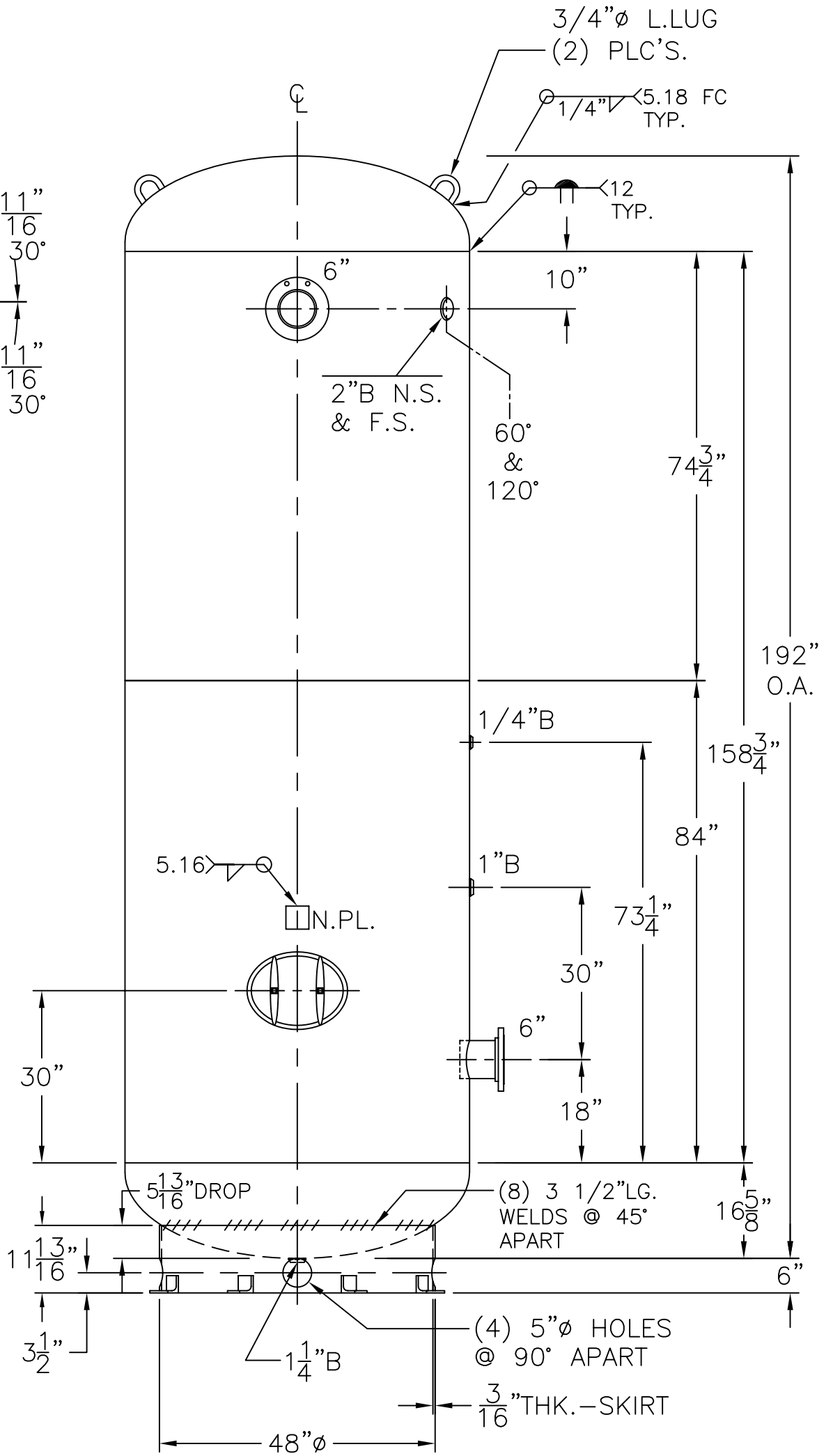


6"-150# R.F.S.O.  
 FLG. W/ SCH. 80  
 SA-106 B  
 PIPE x 7 5/8" LG.  
 (2) PLC'S.



NOTE: 1) HYDRO @ 215 PSIG. MIN.

|   |                    |                                       |           |
|---|--------------------|---------------------------------------|-----------|
| SHELL / HEADS                                     |                    | .248" SA-455 2:1 S.E.<br>(.230" MIN.) |           |
| M.A.W.P.  | 165 PSIG. @ 400 °F |                                       |           |
| M.D.M.T.  | -20 °F @ 165 PSIG. |                                       |           |
| ASME SECTION VIII DIV. 1, 2010 ADD 2010           |                    |                                       |           |
| X-RAY: RT-4 SPOT L.S. & HDS. G.S.                 |                    |                                       |           |
| GALLONS:  | 2180               | WT.                                   | 3597 LBS. |
| SERIAL NO.  |                    |                                       |           |
| N.B.  |                    |                                       |           |
| 60-VM-2180-R                                      |                    | REV.                                  | 8-10-11   |
| FOR: HANSON STANDARD                              |                    | DATE:                                 | 6-16-99   |
| VERT. AIR TANK                                    |                    |                                       |           |
| UW-21(b)  |                    |                                       |           |
| INSIDE: UNPAINTED                                 |                    |                                       |           |
| OUTSIDE: PRIME                                    |                    |                                       |           |
| CAD "B" SIZE UNDER "STD"-SERIES                   |                    |                                       |           |
| BY: E.S. SCALE: 1/2" = 12"                        |                    |                                       |           |
| <b>ROY E. HANSON JR. MFG.</b>                     |                    |                                       |           |
| 1600 E. WASHINGTON BLVD.<br>LOS ANGELES, CA 90021 |                    |                                       |           |