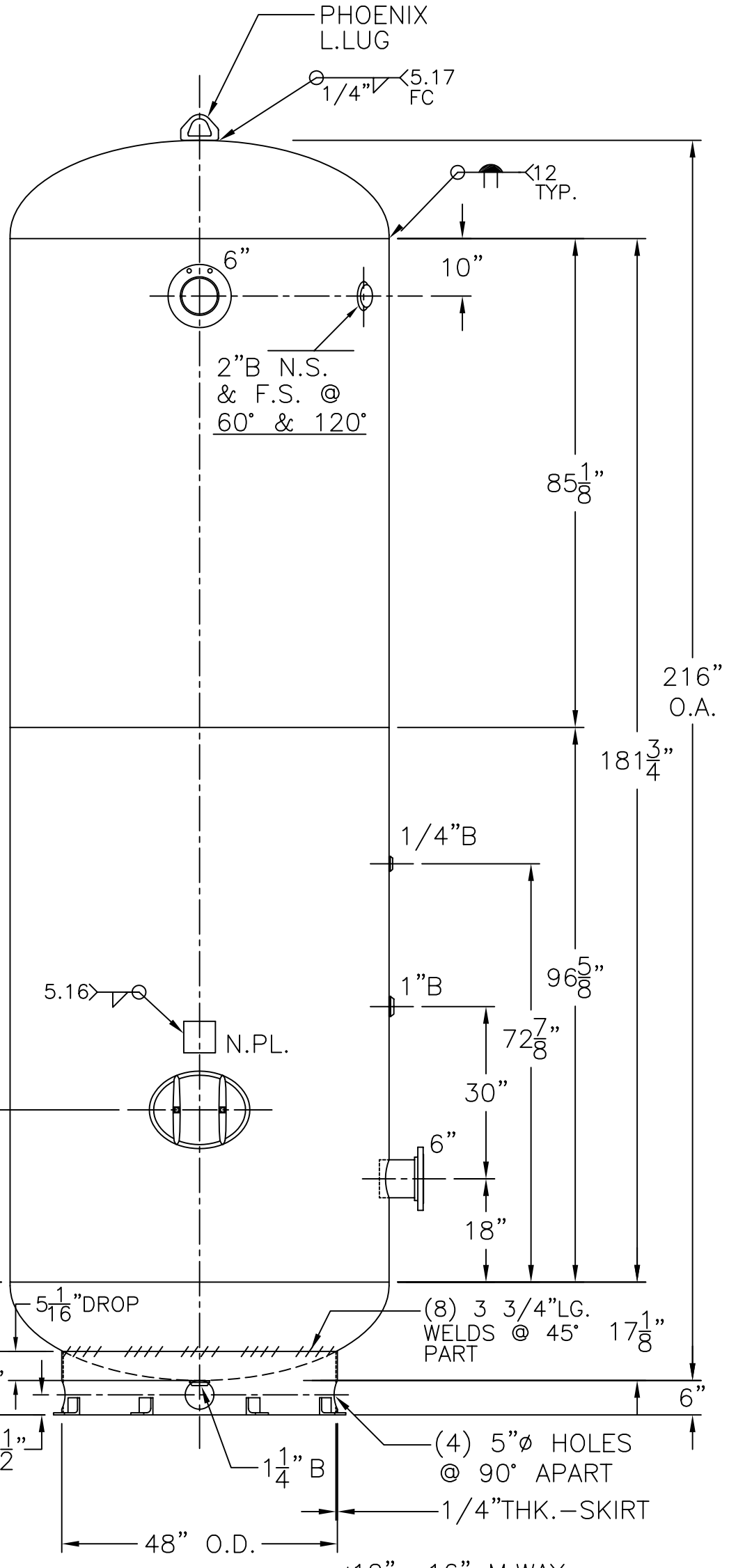
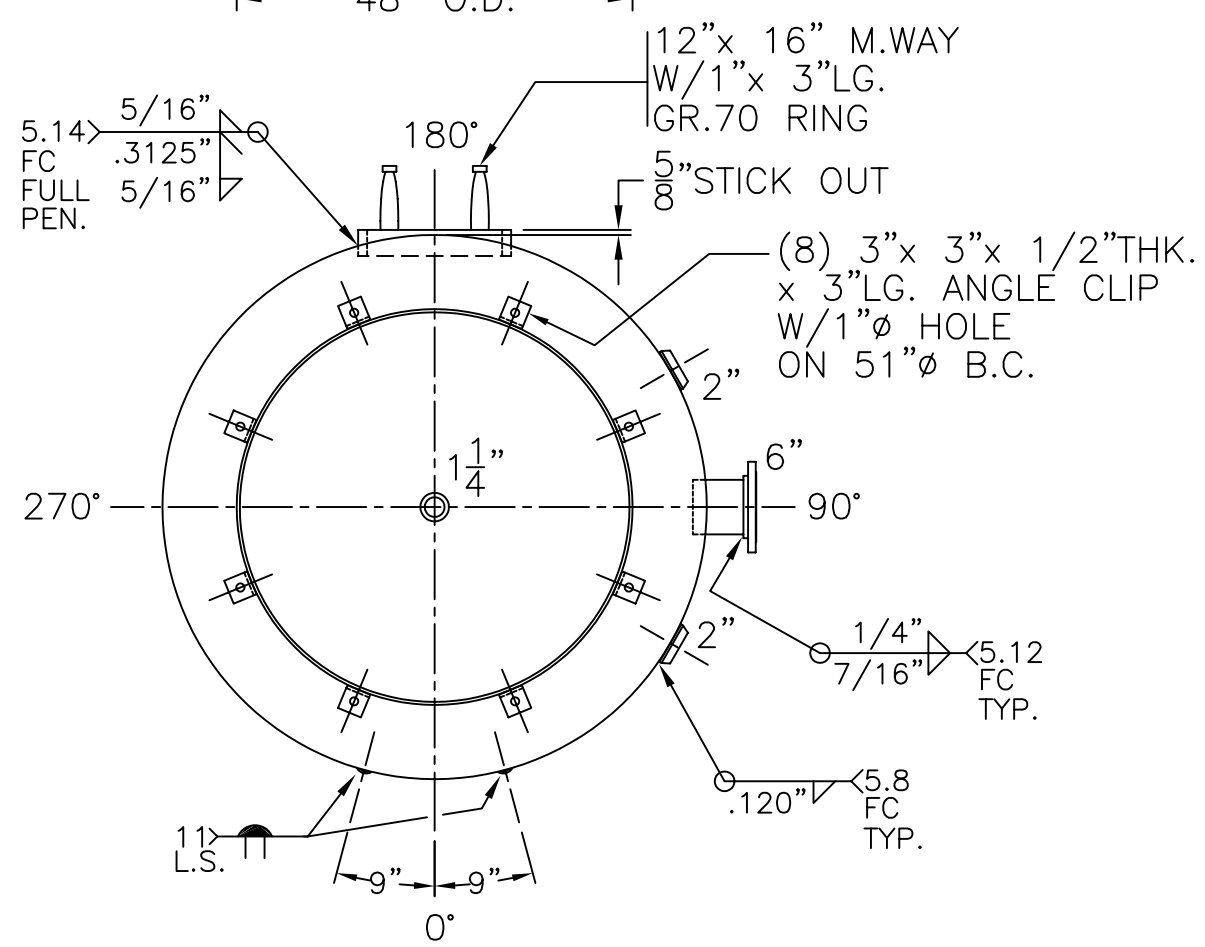


6" - 150# R.F.S.O.  
 FLG. W/SCH 80  
 SA-106-B  
 PIPE x 7 5/8" LG.  
 (2) PLC'S



(8) 3 3/4" LG.  
 WELDS @ 45°  
 PART

(4) 5" Ø HOLES  
 @ 90° APART  
 1/4" THK. - SKIRT



(8) 3" x 3" x 1/2" THK.  
 x 3" LG. ANGLE CLIP  
 W/1" Ø HOLE  
 ON 51" Ø B.C.

NOTE: 1) HYDRO @ 215 PSIG. MIN.

SHELL / HEADS		.289" SA-455 2:1 S.E. (.256" MIN.)	
M.A.W.P.		165 PSIG. @ 400 °F	
M.D.M.T.		-20 °F	
ASME. SECTION VIII		DIV. 1, 2010 ADD 2010	
X-RAY: RT-4 SPOT L.S. & HDS. G.S.			
GALLONS: 3000		WT. 4838 LBS.	
SERIAL NO.			
N.B.			
66-VM-3000-R		REDR. 8-15-11 DATE: 10-2-98	
FOR: HANSON STANDARD			
VERT. AIR TANK			
UW-21(b)			
INSIDE: UNPAINTED			
OUTSIDE: PRIME			
CAD "B" SIZE UNDER "STD"-SERIES			
BY: J.G.		SCALE: 1/2"=12"	
<b>ROY E. HANSON JR. MFG.</b>			
1600 E. WASHINGTON BLVD.			
LOS ANGELES, CA 90021			