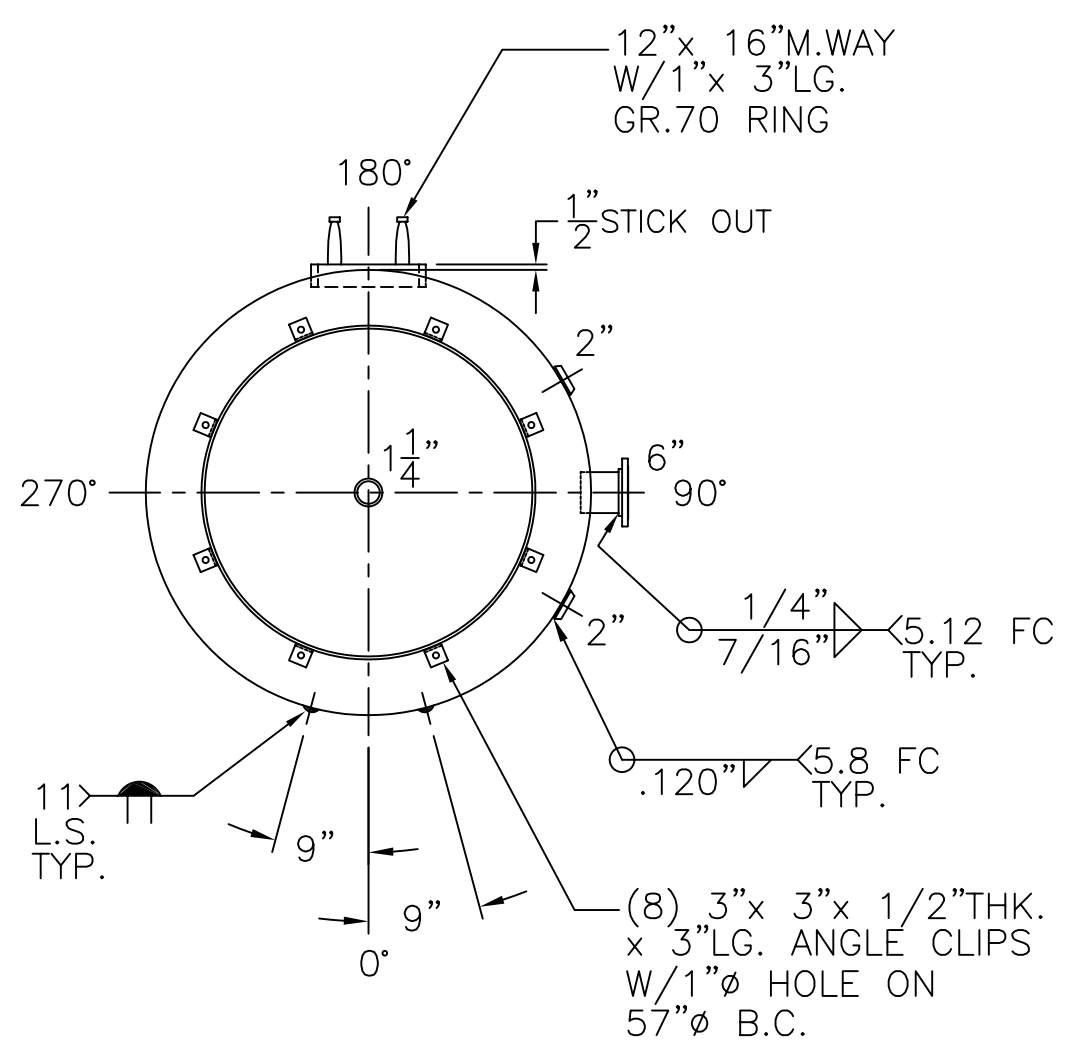
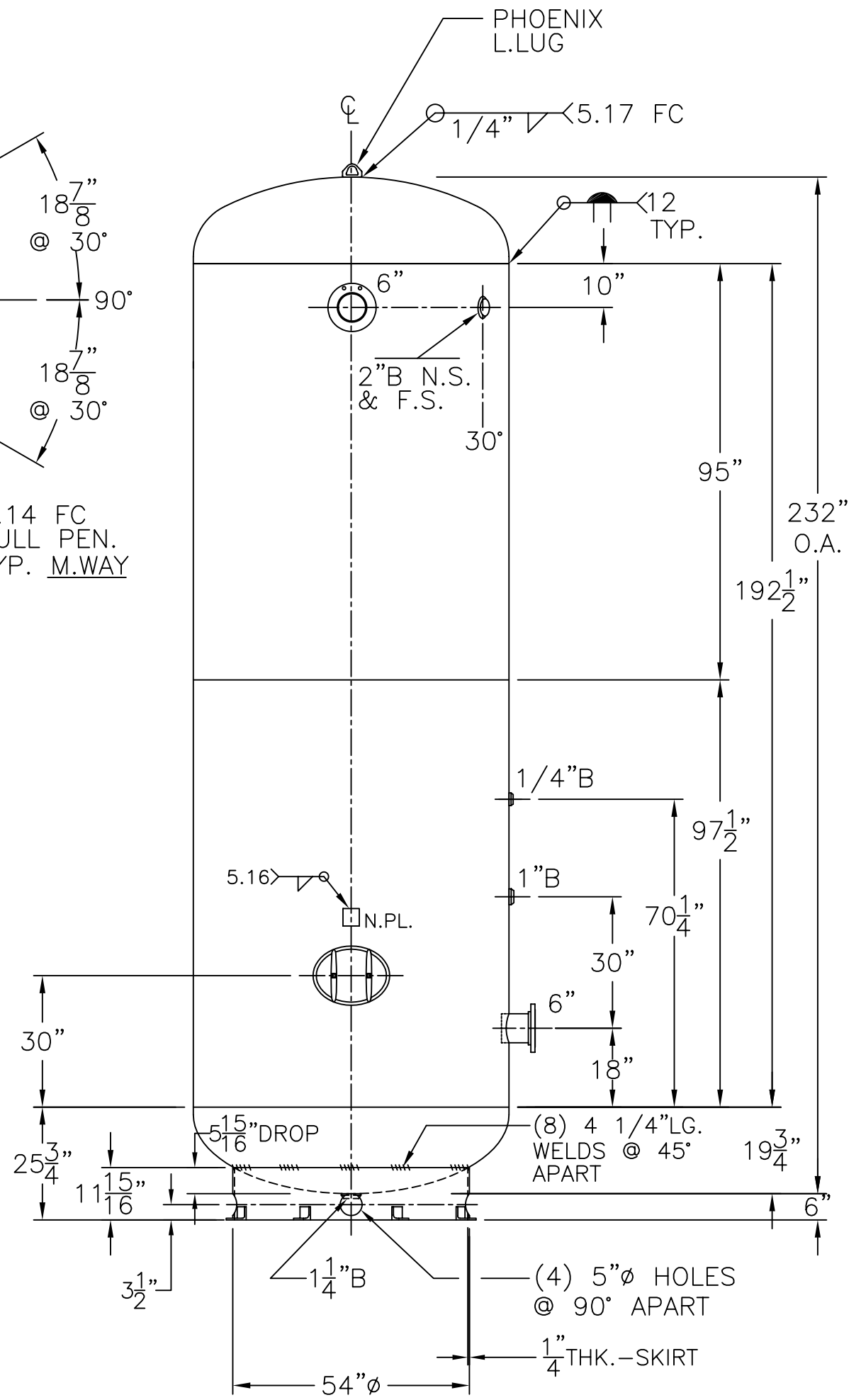


6"-150# R.F.S.O.  
 FLG. W/SCH 80  
 SA-106-B  
 PIPE x 7 5/8"LG.  
 (2) PLC'S



NOTE: 1) HYDRO @ 163 PSIG. MIN.

SHELL / HEADS	.280" SA-455	2:1 S.E.
	(.246" MIN.)	
	.250" SA-455	
M.A.W.P.	125 PSIG.	@ 400 °F
M.D.M.T.	-20 °F	125 PSIG
ASME SECTION VIII	DIV. 1, 2010 ADD 2010	
X-RAY:	RT-4 SPOT L.S.	
GALLONS:	3800	WT. 4496 LBS.
SERIAL NO.		
N.B.		

72-VG-3800-R	REV. 8-15-11
FOR: HANSON STANDARD	DATE: 4-30-99
VERT. AIR TANK	
UW-21(b)	
INSIDE: UNPAINTED	
OUTSIDE: PRIME	
CAD "B"-SIZE UNDER "STD"-SERIES	
BY: J.G.	SCALE: 3/8"=12"
<b>ROY E. HANSON JR. MFG.</b>	
1600 E. WASHINGTON BLVD.	
LOS ANGELES, CA 90021	