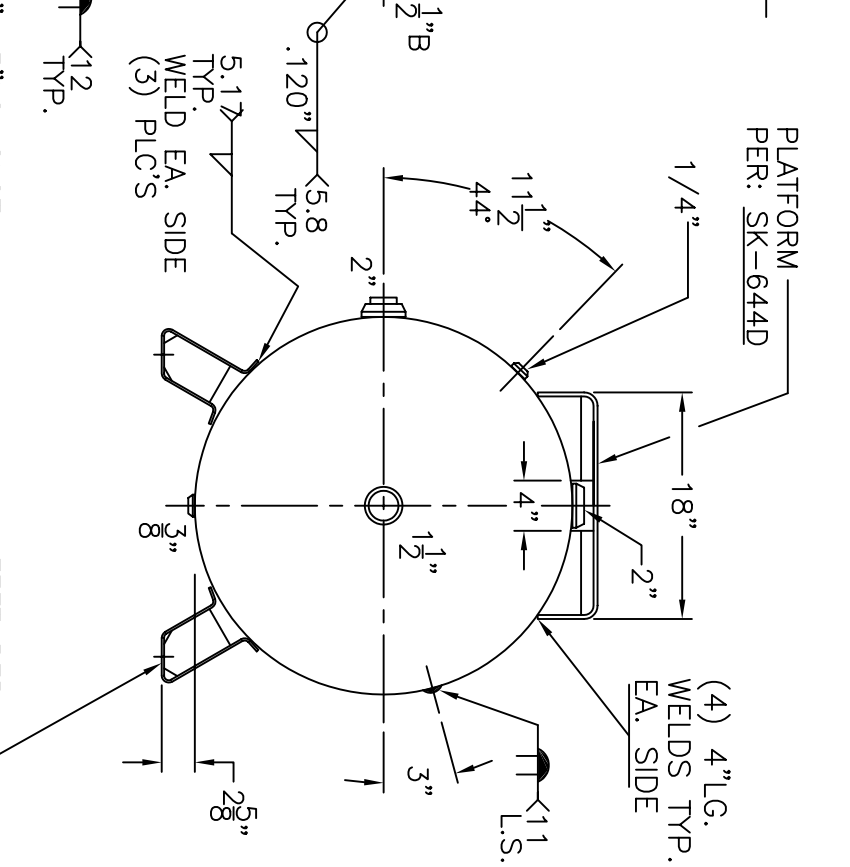


VIEW W/OUT SUPT.



NOTE: 1) HYDRO @ 260 PSIG. MIN.

HEADS	SHELL
.166" SA-414-G 2.1 S.E. (.164" MIN.) JOGGLE	.218" SA-455
BROWN STRIPE	
M.A.W.P. 200 PSIG. @ 400 °F	
M.D.M.T. -20 °F @ 200 PSIG.	
ASME. SECTION VIII DIV. 1, 2001 ADD 2003	
X-RAY: RT-NO	
GALLONS: 240	WT. 677 LBS.
SERIAL NO.	
N.B.	

H-240-BP	REV. 2-5-04
FOR: HANSON STANDARD	DATE: 5-1-79
HORIZ. AIR TANK	
INSIDE: UNPAINTED	
OUTSIDE: PRIME	
BY: E.S.	SCALE: 3/4"=12"
ROY E. HANSON JR. MFG.	
1924 COMPTON AVE.	
LOS ANGELES, CA 90011	

PLATFORM
PER: SK-644D

(4) 4" LG.
WELDS TYP.
EA. SIDE

FEET PER:
SK-5073
FEET ARE BOXED