

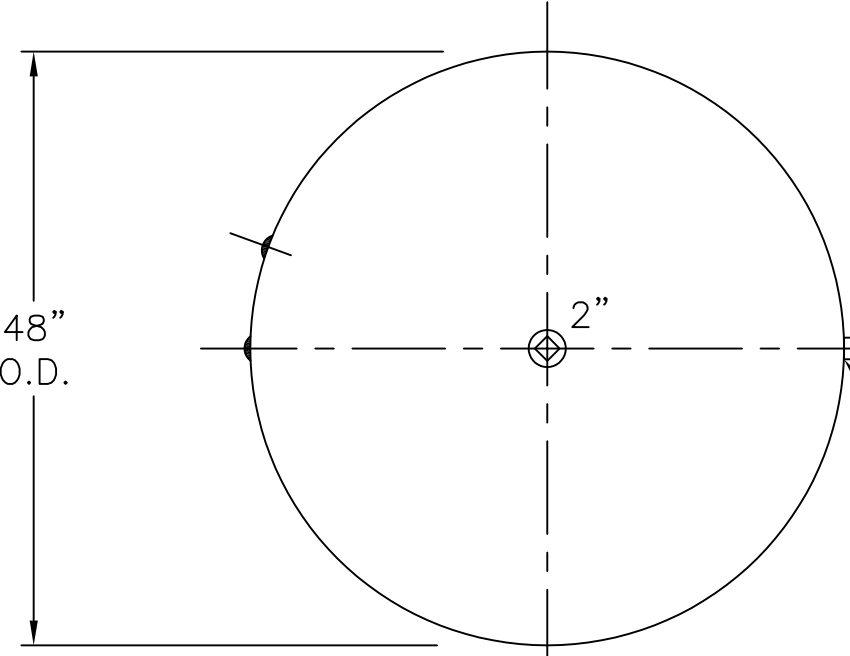
2" B W/PLUG
W/U-BAR AND
SWIVEL SNAP
SEE:
WM-701-B-2B

5.8
FC
TYP.
.120"

TANK BAG

12
B.U.B.
TYP. HEADS

VIEW W/OUT SUPT'S



1"-3000# HALF CPLG.
W/SIGHT GLASS
SEE: WM-701-B-2B

5.17
FC

NOTE: 1) HYDRO @ 163 PSIG. MIN.
2) FOR NON CORROSIVE SERVICE BLADDER TANK.

HEADS	.250" SA-414-G 2:1 S.E.	
	JOGGLE	
SHELL	.200" SA-455	
M.A.W.P.	125 PSIG. @	240 °F
M.D.M.T.	32 °F @	125 PSIG.
ASME SECTION VIII DIV. 1, 2007 ADD. 2008		
X-RAY:	RT-NO	
GALLONS:	1076	WT. 1876 LBS.
SERIAL NO.		
N.B.		

WM-701-B	REV.
	DATE: 5-20-09
FOR: HANSON STANDARD HORIZ. BLADDER TANK WITH 2 1/2" F.N.P.T. OUTLET	
INSIDE: UNPAINTED	
OUTSIDE: PRIME	
BY: J.G.	SCALE: 3/4"=12"
ROY E. HANSON JR. MFG.	
1600 E. WASHINGTON BLVD. LOS ANGELES, CA 90021	