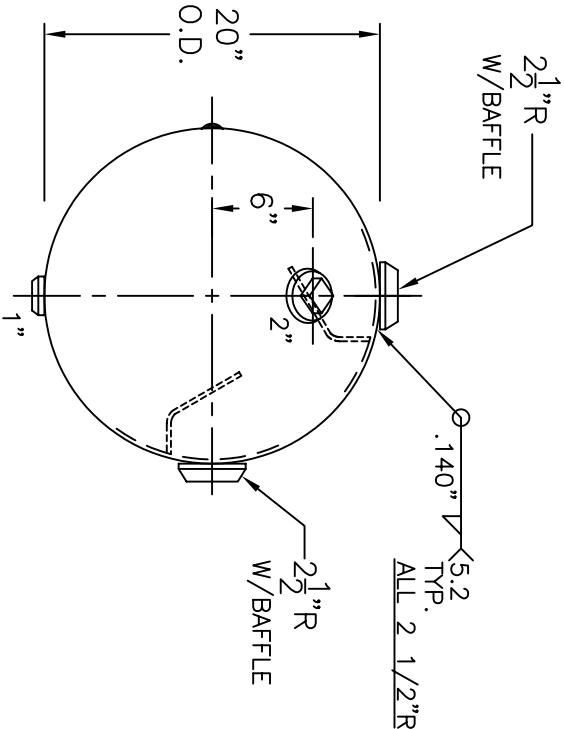


2) ALL (4) 2 1/2"R SHORT PILOT - MACHINE TO 3 3/8" O.D.  
 NOTE: 1) HYDRO @ 197 PSIG. MIN.



HEADS		SHELL	
.135" SA-414-G 2:1 S.E.		.135" SA-414-G	
JOGGLE			
M.A.W.P.	150 PSIG. @ 250 °F		
M.D.M.T.	-20 °F @ 150 PSIG.		
ASME. SECTION VIII	DIV. 1, 2007 ADD 2007		
X-RAY:	RT-NO		
GALLONS:	60	WT.	154 LBS.
SERIAL NO.			
NB			

<b>WK-565-A</b>	REV. 6-6-08
FOR: HANSON STANDARD	DATE: 3-23-04
BUFFER TANK	
INSIDE: UNPAINTED	
OUTSIDE: PRIME	
BY: J.G./FRED	SCALE: 1"=12"
<b>ROY E. HANSON JR. MFG.</b>	
1600 E. WASHINGTON BLVD.	
LOS ANGELES, CA 90021	