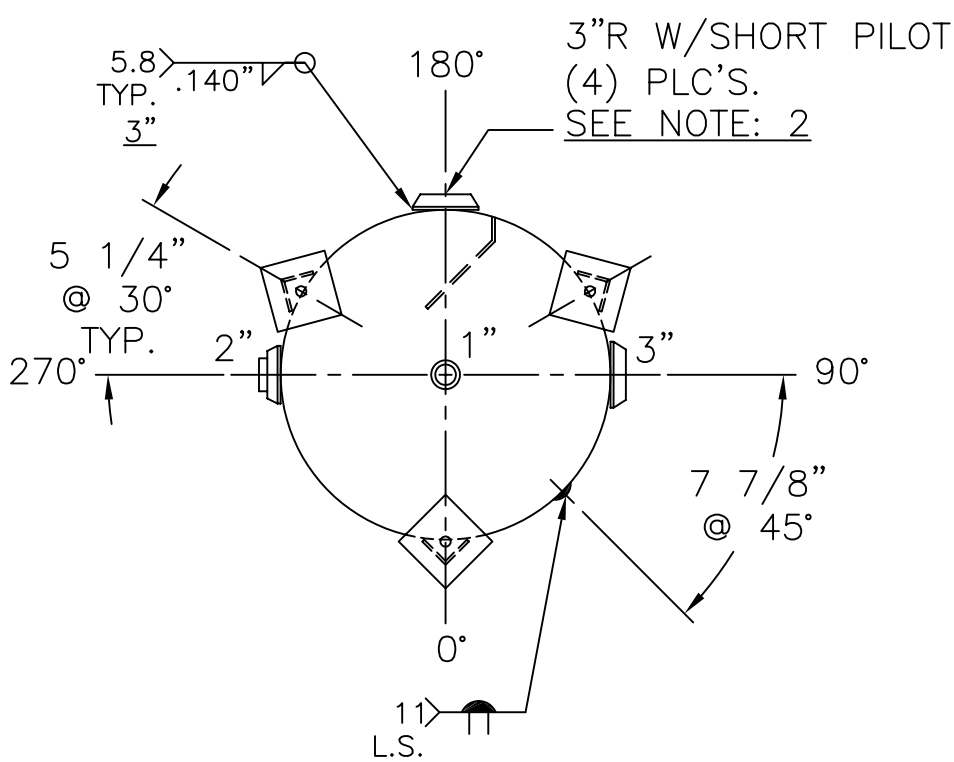


(3) 2 1/2" x 2 1/2" x 3/16" THK.
x 16 1/16" LG. ANGLE LEGS

(3) 4" x 4" x 1/4" THK.
PADS W/ 3/4" Ø HOLE
FOR 1/2" Ø x 8" LG. BOLTS
GRADE 5 OR BETTER
6" EMBEDMENT



NOTE: 1) HYDRO @ 195 PSIG. MIN.
2) 3" R W/ SHORT PILOT - MACHINE TO 4 5/16" O.D.

| | | | | | | | | | | | | | | | | | |
|-------------------------|--|-----------------------------|--|-----------------------------|--|---|--|-------------------|--|-------------|--|---------------|--|--------------|--|---------------|--|
| SHELL / HEADS | | M.A.W.P. 150 PSIG. @ 250 °F | | M.D.M.T. -20 °F @ 150 PSIG. | | ASME SECTION VIII DIV. 1, 2010 ADD 2010 | | X-RAY: RT-NO | | GALLONS: 80 | | WT. 222 LBS. | | SERIAL NO. | | N.B. | |
| .135" SA-414-G 2:1 S.E. | | .136" SA-414-G | | | | | | | | | | | | | | | |
| JOGGLE | | FOR: VERTICAL BUFFER TANK | | INSIDE: UNPAINTED | | OUTSIDE: PRIME | | LEG-ZONE 4-15 KM. | | BY: E.S. | | SCALE: 1"=12" | | REV. 3-30-11 | | DATE: 11-1-05 | |
| WL-309-B | | FOR: VERTICAL BUFFER TANK | | INSIDE: UNPAINTED | | OUTSIDE: PRIME | | LEG-ZONE 4-15 KM. | | BY: E.S. | | SCALE: 1"=12" | | REV. 3-30-11 | | DATE: 11-1-05 | |
| ROY E. HANSON JR. MFG. | | 1600 E. WASHINGTON BLVD. | | LOS ANGELES, CA 90021 | | | | | | | | | | | | | |