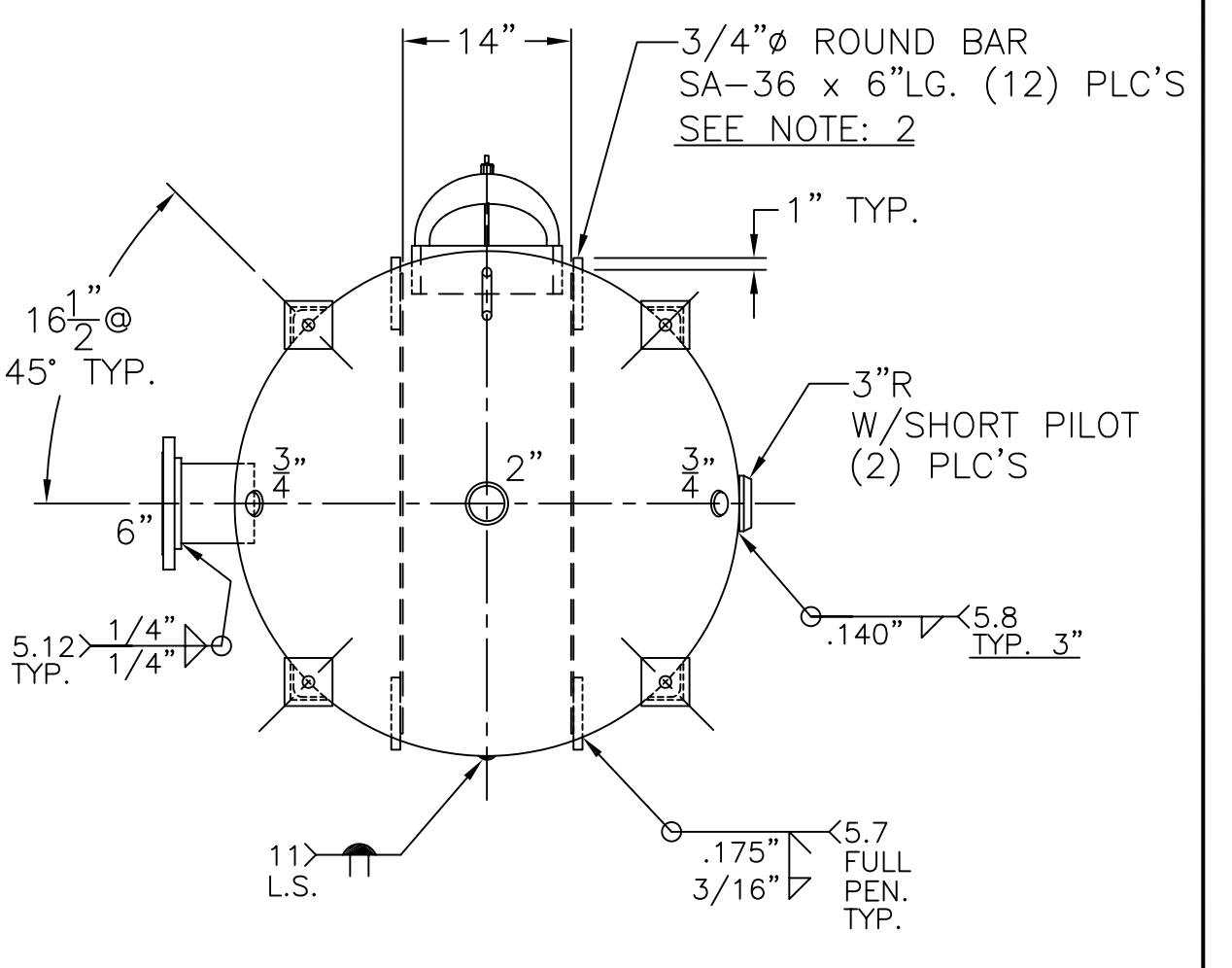


SHELL / HEADS		.205" SA-455 2:1 S.E.	
JOGGLE			
.175" SA-414-G			
M.A.W.P.	125 PSIG. @ 100 °F		
M.D.M.T.	0 PSIG. @ 125 °F		
ASME SECTION VIII DIV. 1, 2004 ADD 2005			
X-RAY:	RT-4 SPOT L.S. ONLY		
GALLONS:	420	WT.	1021 LBS.
SERIAL NO.			
N.B.			
WK-887-B		REV.	11-3-06
FOR: VERT. CHILLED WATER TANK		DATE:	11-4-04
SURFACE AREA = 79.7 SQ. FT.			
INSIDE:	HOT DIP GALVANIZED		
OUTSIDE:	HOT DIP GALVANIZED		
LEG ZONE:	1-15 KM.		
BY:	J.G./STEVE	SCALE:	3/4"=12"
ROY E. HANSON JR. MFG.			
1600 E. WASHINGTON BLVD. LOS ANGELES, CA 90021			

NOTE: 1) HYDRO @ 165 PSIG. MIN.
2) WELD 3/4" Ø ROUND BARS TO SHELL AFTER HEADS ARE IN PLACE.



(4) 3"x 3"x 3/16"THK. x 23 3/4"LG. ANGLE LEGS
(4) 4"x 4"x 1/4"THK. PAD W/1"Ø HOLE FOR 3/4"Ø BOLTS

6"-8.2# CHANNEL x 5 1/2"LG. FOR NAME PLATE INSTALL N.PL.- TACK (4) CORNERS ONLY AFTER GALV.
.166"THK. BAFFLES PER: WK-887-B-1A TOP & BTM.

12"x 16" M.WAY W/3/4"x 4"LG. GR.70 RING

7/16" STICK OUT

