

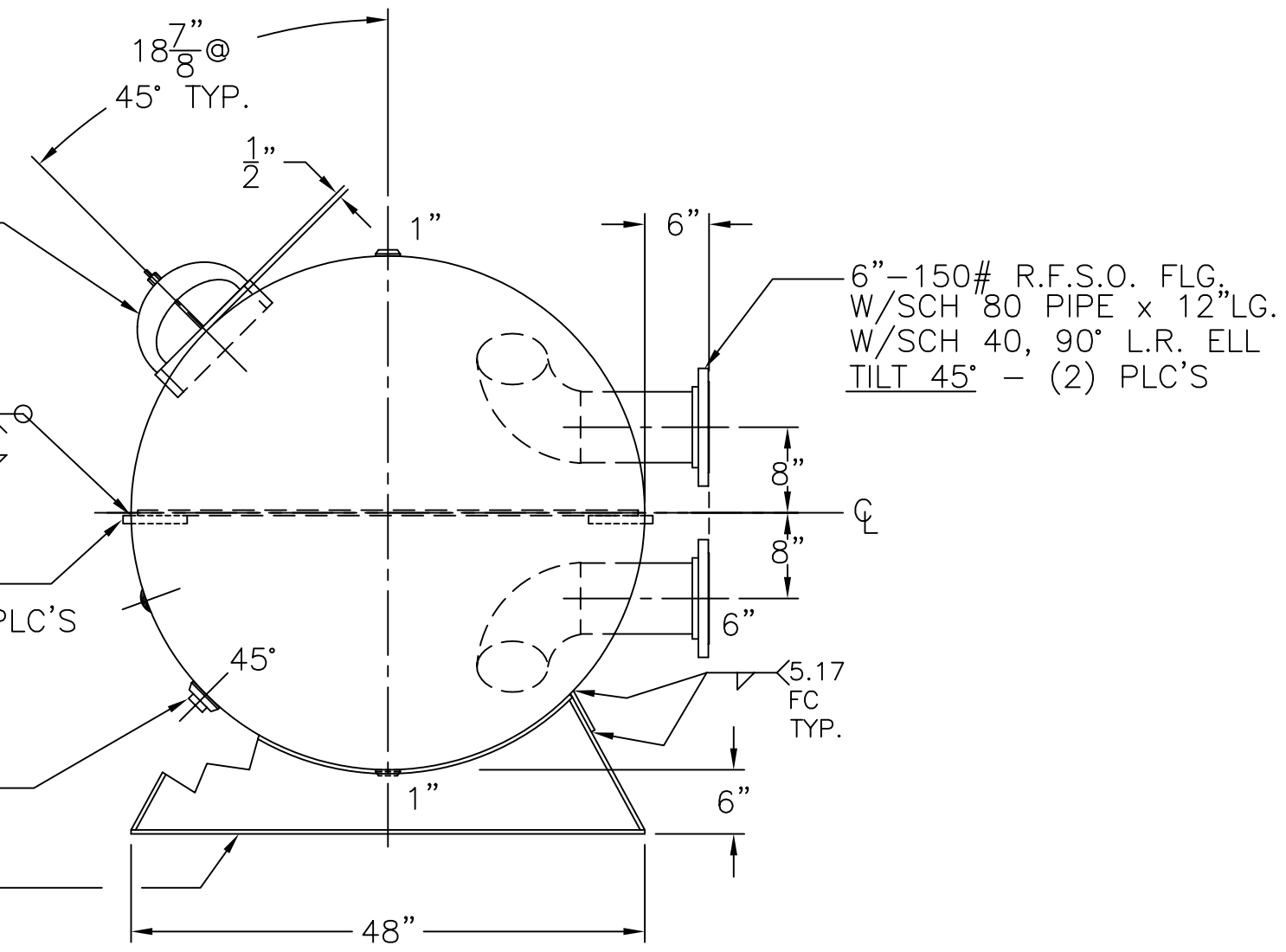
12" x 16" M.WAY
W/1" x 3" LG.
GR. 70 RING

5.20 FC
.200" FC
FULL 3/16" PEN.
TYP.

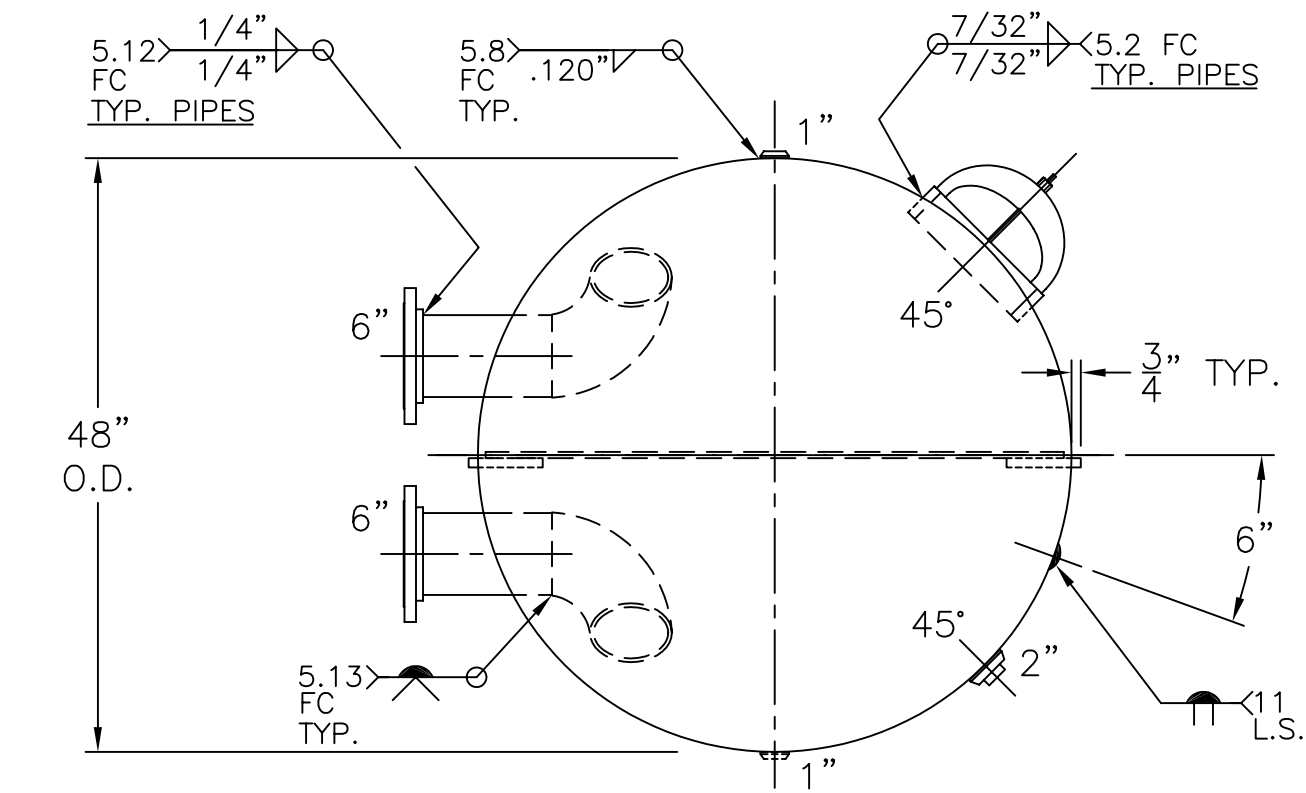
3/4" Ø ROUND BAR
SA-36 x 6" LG. (4) PLC'S
SEE NOTE: 2

2" B W/C.I. PLUG
INSP. OPENING

STYLE "A" SADDLES
W/WELDED CLIPS
PER: WK-009-B-1A



6" - 150# R.F.S.O. FLG.
W/SCH 80 PIPE x 12" LG.
W/SCH 40, 90° L.R. ELL
TILT 45° - (2) PLC'S



2) WELD 3/4" Ø ROUND BARS TO SHELL AFTER HEADS ARE IN PLACE.
NOTE: 1) HYDRO @ 165 PSIG.

HEADS	.200" SA-455 2:1 S.E.	WL-781-B	REV.
	JOGGLED		DATE: 1-11-07
SHELL	.200" SA-455	FOR: -	VERT. CHILLED WATER TANK.
		SURFACE AREA = 71.6 SQ. FT.	
		INSIDE: UNPAINTED	
	M.A.W.P. 125 PSIG. @ 200 °F	OUTSIDE: PRIME	
	M.D.M.T. 0 °F @ 125 PSIG.	ASME. SECTION VIII DIV. 1, 2004 ADD 2006	
	X-RAY: RT-4 SPOT L.S. ONLY	BY: J.G./STEVE SCALE: 3/4"=12"	
	GALLONS: 400 WT. 1062 LBS.	ROY E. HANSON JR. MFG.	
	SERIAL NO.		
	N.B.		
		1600 E. WASHINGTON BLVD. LOS ANGELES, CA 90021	