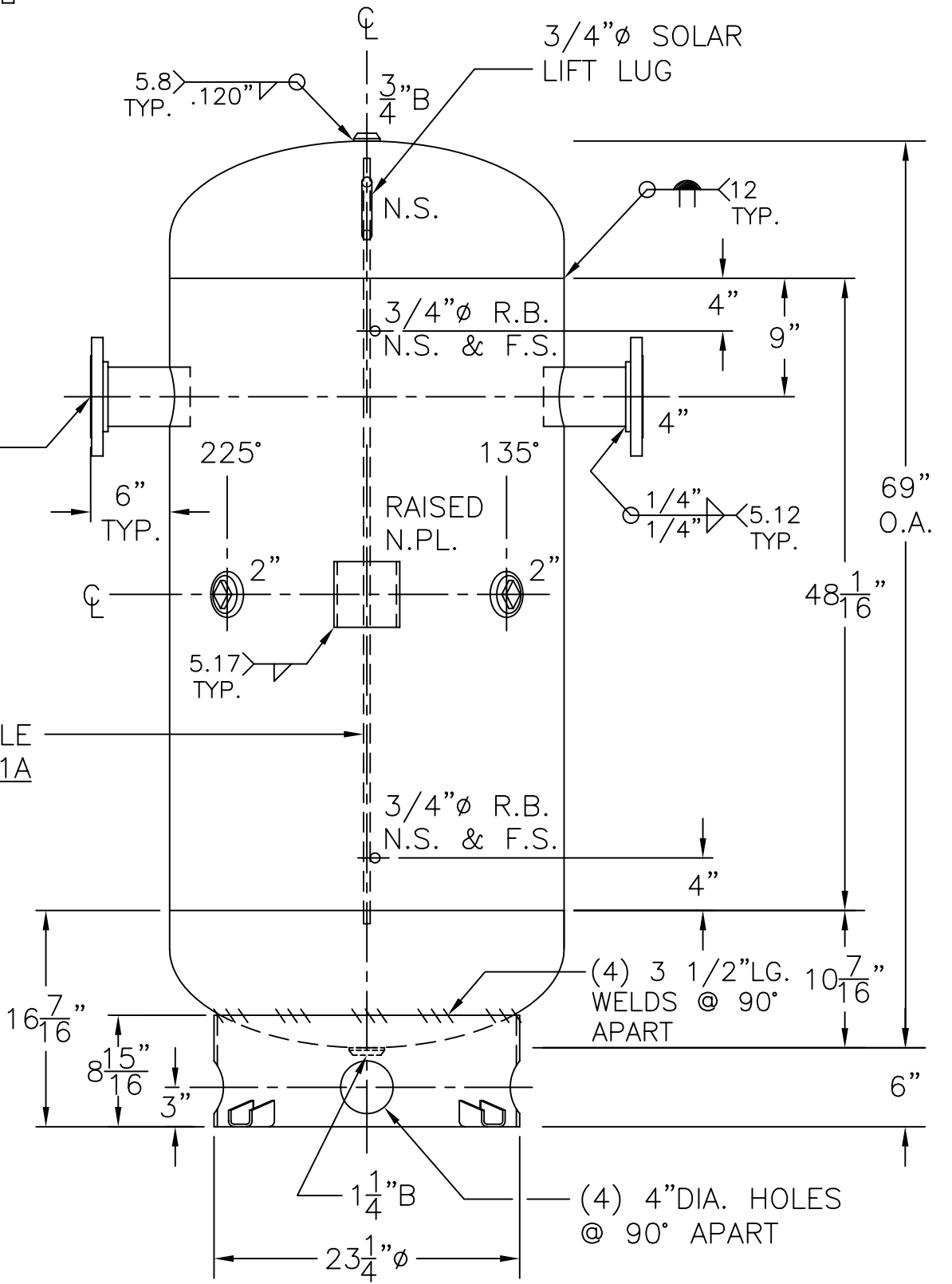


2"R W/ C.I. PLUG
INSP. OPENING
(2) PLC'S.

4"-150# R.F.S.O.
FLG. W/ SCH. 40
SA-106-B
PIPE x 7 1/16"LG.
(2) PLC'S.

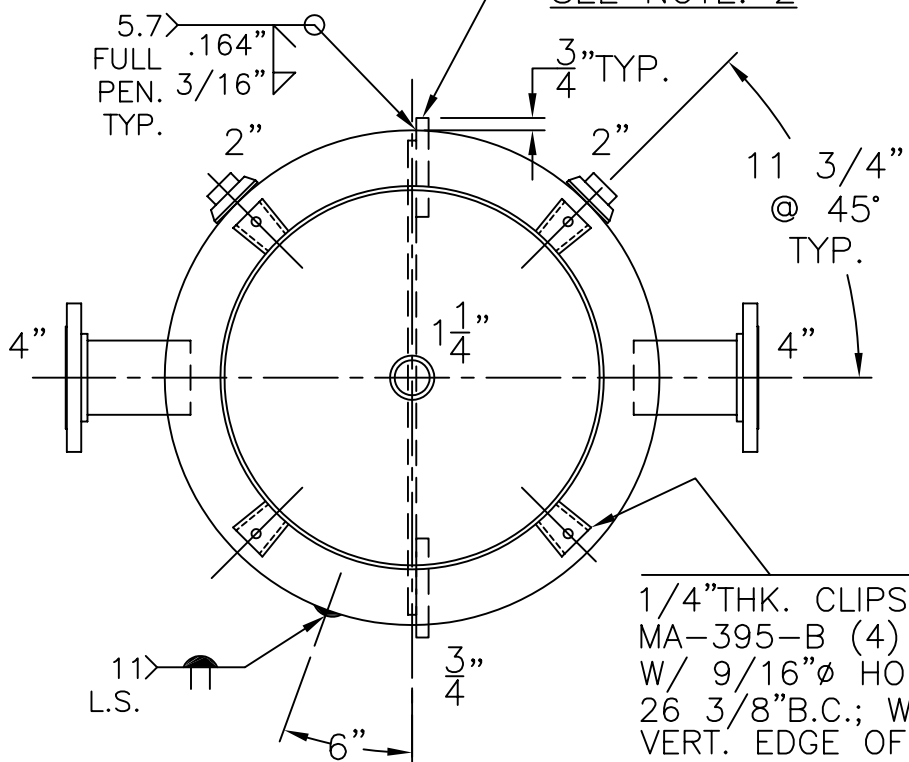
.135"THK. BAFFLE
PER: WL-872-B-1A



(4) 3 1/2"LG. 10 7/16"
WELDS @ 90°
APART

(4) 4" DIA. HOLES
@ 90° APART

3/4"Ø ROUND BAR
SA-36 x 6"LG. (4) PLC'S.
SEE NOTE: 2



1/4"THK. CLIPS PER
MA-395-B (4) PLC'S.
W/ 9/16"Ø HOLE ON
26 3/8" B.C.; WELD OUTSIDE
VERT. EDGE OF CLIP ONLY

NOTE: 1) WELD 3/4"Ø ROUND BARS TO SHELL AFTER HEADS ARE IN PLACE.
2) HYDRO @ 195 PSIG. MIN.

SHELL / HEADS		M.A.W.P. 150 PSIG. @ 180 °F	
.164" SA-414-G		M.D.M.T. 0 °F @ 150 PSIG.	
.166" SA-414-G 2:1 S.E.		ASME SECTION VIII DIV. 1, 2007 ADD 2008	
JOGGLE		X-RAY: RT-NO	
.164" SA-414-G		GALLONS: 189	
		WT. 525 LBS.	
		SERIAL NO.	
		N.B.	
FOR: -		BY: E.S. / FRED SCALE: 1"=12"	
VERT. CHILLED WATER TANK		ROY E. HANSON JR. MFG.	
SURFACE AREA = 48.9 SQ. FT.		1600 E. WASHINGTON BLVD.	
UW-21(b)		LOS ANGELES, CA 90021	
INSIDE: UNPAINTED			
OUTSIDE: PRIME			
WL-872-B		REV. 6-4-09	
DATE: 3-27-07			