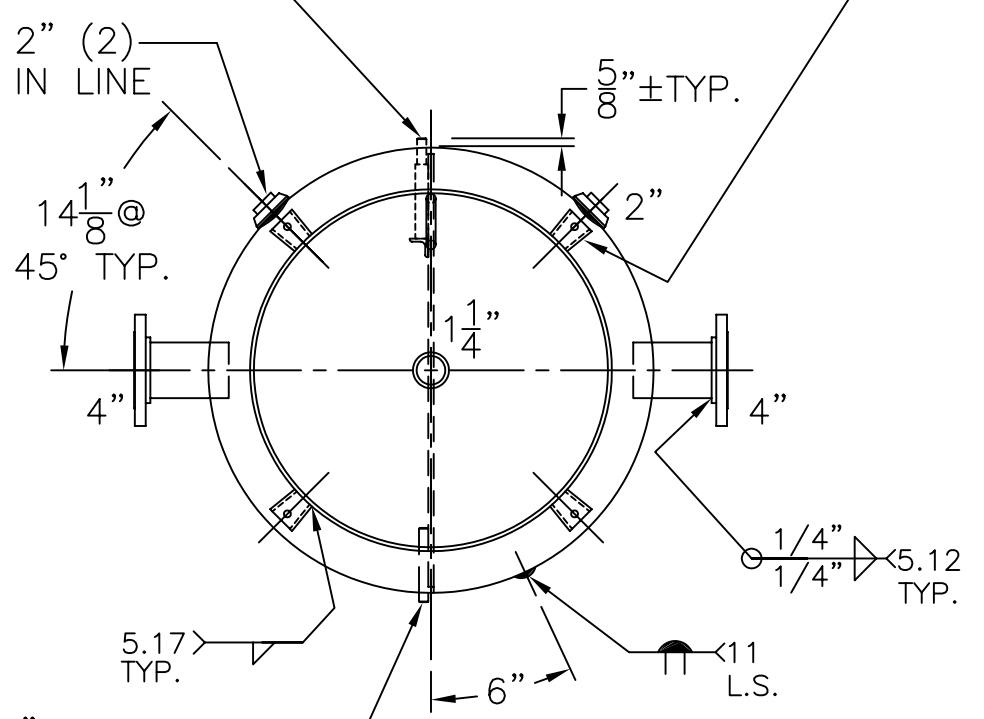


.166" - BAFFLE
PER: WL-919-B-1A

3/4"φ ROUND BAR
304 S.S. x 6" LG. (2) PLC'S
PER: WM-191-B DETAIL

1/4" THK. CLIPS PER
MA-395-B (4) PLC'S
W 9/16"φ HOLE ON
32 3/8" B.C.; WELD OUTSIDE
VERT. EDGE OF CLIP ONLY



NOTE: 1) HYDRO @ 163 PSIG. MIN.
2) WELD 3/4"φ ROUND BARS TO SHELL AFTER HEADS ARE IN PLACE.

SHELL / HEADS	
.182" SA-455 2:1 S.E.	JOGGLE - .149 OFFSET
.165" SA-414-G	
M.A.W.P. 125 PSIG. @ 200 °F	M.D.M.T. 0 °F @ 125 PSIG.
ASME SECTION VIII DIV. 1, 2007 ADD. 2009	
X-RAY: RT-NO	WT. 542 LBS.
GALLONS: 250	SERIAL NO.
N.B.	
WL-919-B	
FOR: -	REV. 1-15-10
VERT. CHILLED WATER TANK	DATE: 5-10-07
SURFACE AREA = 55.6 SQ. FT.	
UW-21 (b)	
INSIDE: UNPAINTED	
OUTSIDE: SHOP PRIME	
BY: J.G./C.J.	SCALE: 3/4"=12"
ROY E. HANSON JR. MFG.	
1600 E. WASHINGTON BLVD. LOS ANGELES, CA 90021	