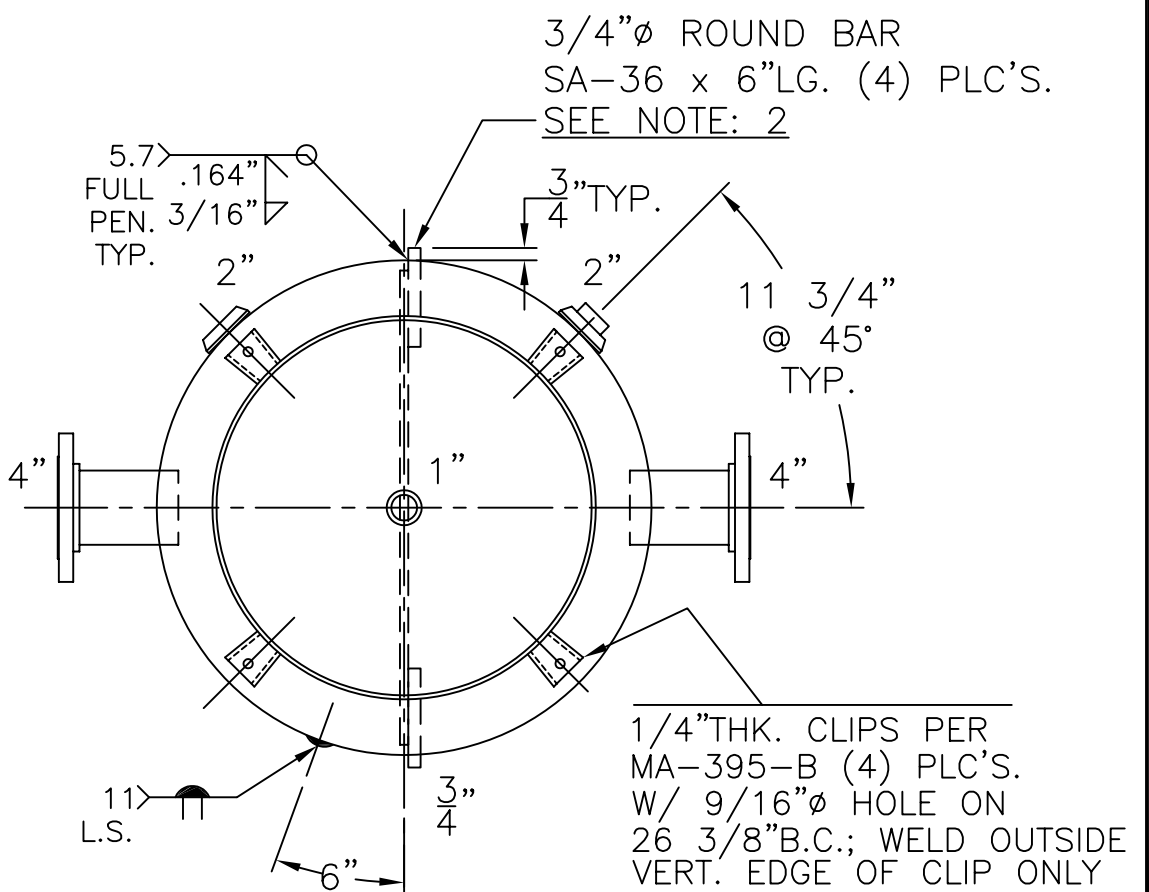
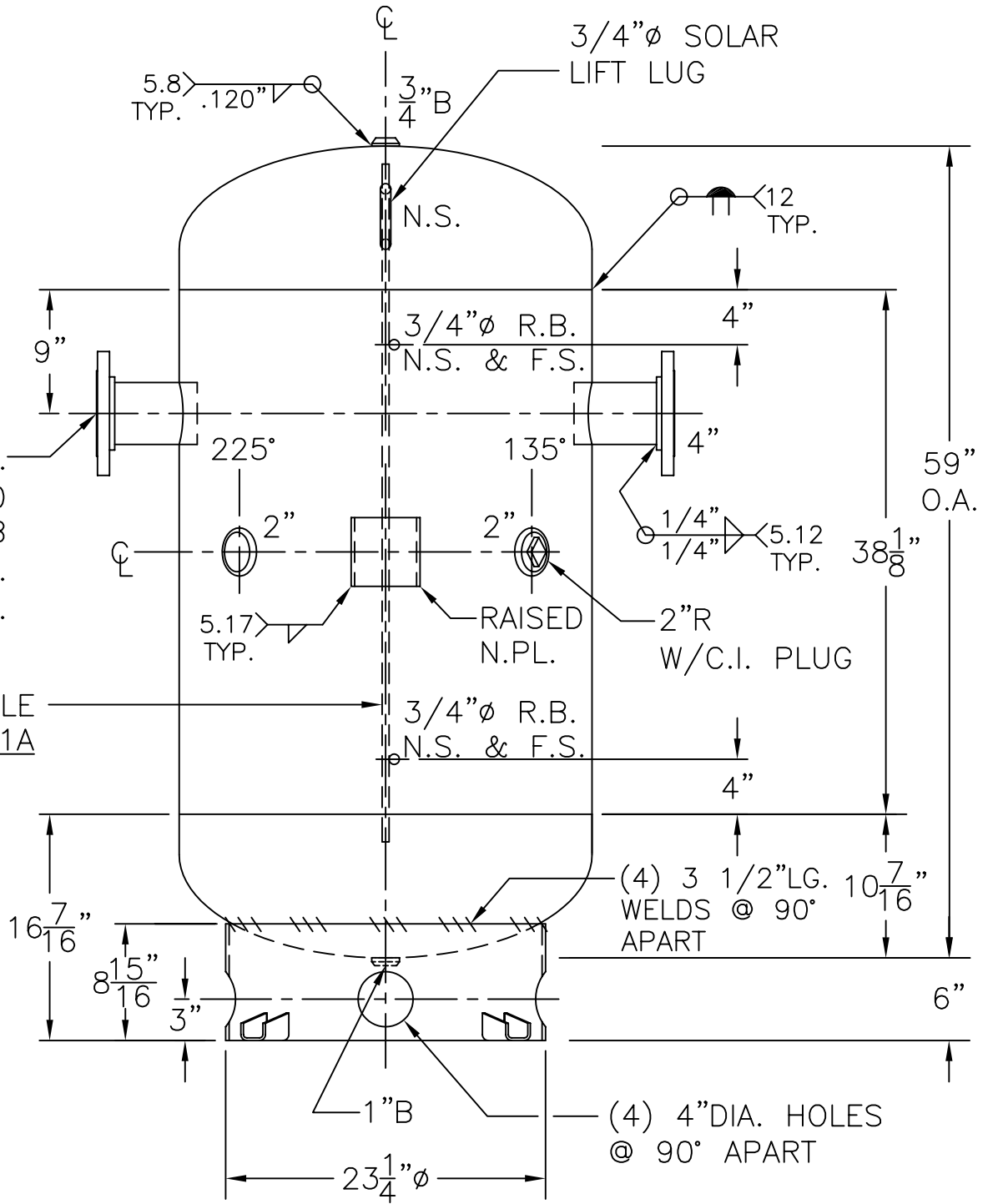


4"-150# R.F.S.O. FLG. W/ SCH. 40 SA-106-B PIPE x 7 1/16" LG. (2) PLC'S.

.135" THK. BAFFLE PER: WM-627-B-1A



NOTE: 1) 2) WELD 3/4"  $\phi$  ROUND BARS TO SHELL AFTER HEADS ARE IN PLACE. HYDRO @ 195 PSIG. MIN.

SHELL / HEADS		M.A.W.P. 150 PSIG. @ 180 °F		M.D.M.T. 0 °F @ 150 PSIG.		ASME. SECTION VIII DIV. 1, 2007 ADD 2008		X-RAY: RT-NO		GALLONS: 160		WT. 462 LBS.		SERIAL NO.		N.B.	
.166" SA-414-F 2:1 S.E.		.164" SA-414-G															
JOGGLE - .149" OFFSET																	
FOR: WM-628-B		VERT. CHILLED WATER TANK		SURFACE AREA = 42.0 SQ. FT.		UW-21(b)		INSIDE: UNPAINTED		OUTSIDE: SHOP PRIME		BY: E.S. / C.J. SCALE: 1"=12"		REV. 7-20-09		DATE: 3-11-09	
												ROY E. HANSON JR. MFG.		1600 E. WASHINGTON BLVD.		LOS ANGELES, CA 90021	