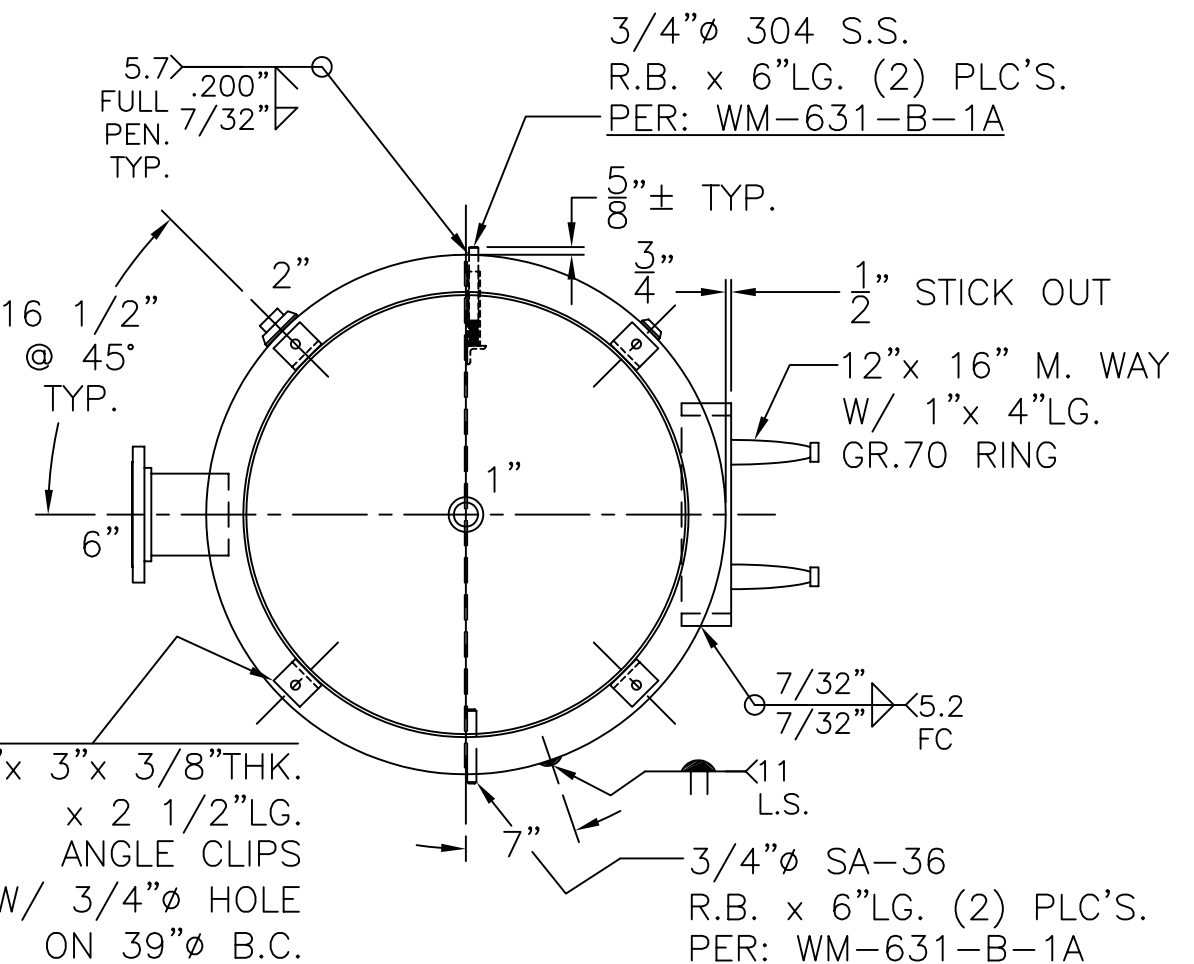


NOTE: 1) HYDRO @ 195 PSIG. MIN.  
 2) WELD 3/4" Ø ROUND BARS TO SHELL AFTER HEADS ARE IN PLACE.



SHELL / HEADS		.205" SA-455 2:1 S.E.	
JOGGLE			
M.A.W.P. 150 PSIG. @ 125 °F			
M.D.M.T. +20 °F @ 150 PSIG.			
ASME. SECTION VIII DIV. 1, 2007 ADD 2009			
X-RAY: RT-4 SPOT L.S. ONLY			
GALLONS: 500	WT. 1208 LBS.		
SERIAL NO.			
N.B.			
FOR: HANSON STANDARD		WM-631-B	
VERT. CHILLED WATER TANK		REV. 9-22-10	
SURFACE AREA = 91.6 SQ. FT.		DATE: 3-12-09	
UW-21(b)			
INSIDE: UNPAINTED			
OUTSIDE: SHOP PRIME			
BY: E.S. / C.J.		SCALE: 3/4" = 12"	
<b>ROY E. HANSON JR. MFG.</b>			
1600 E. WASHINGTON BLVD.			
LOS ANGELES, CA 90021			