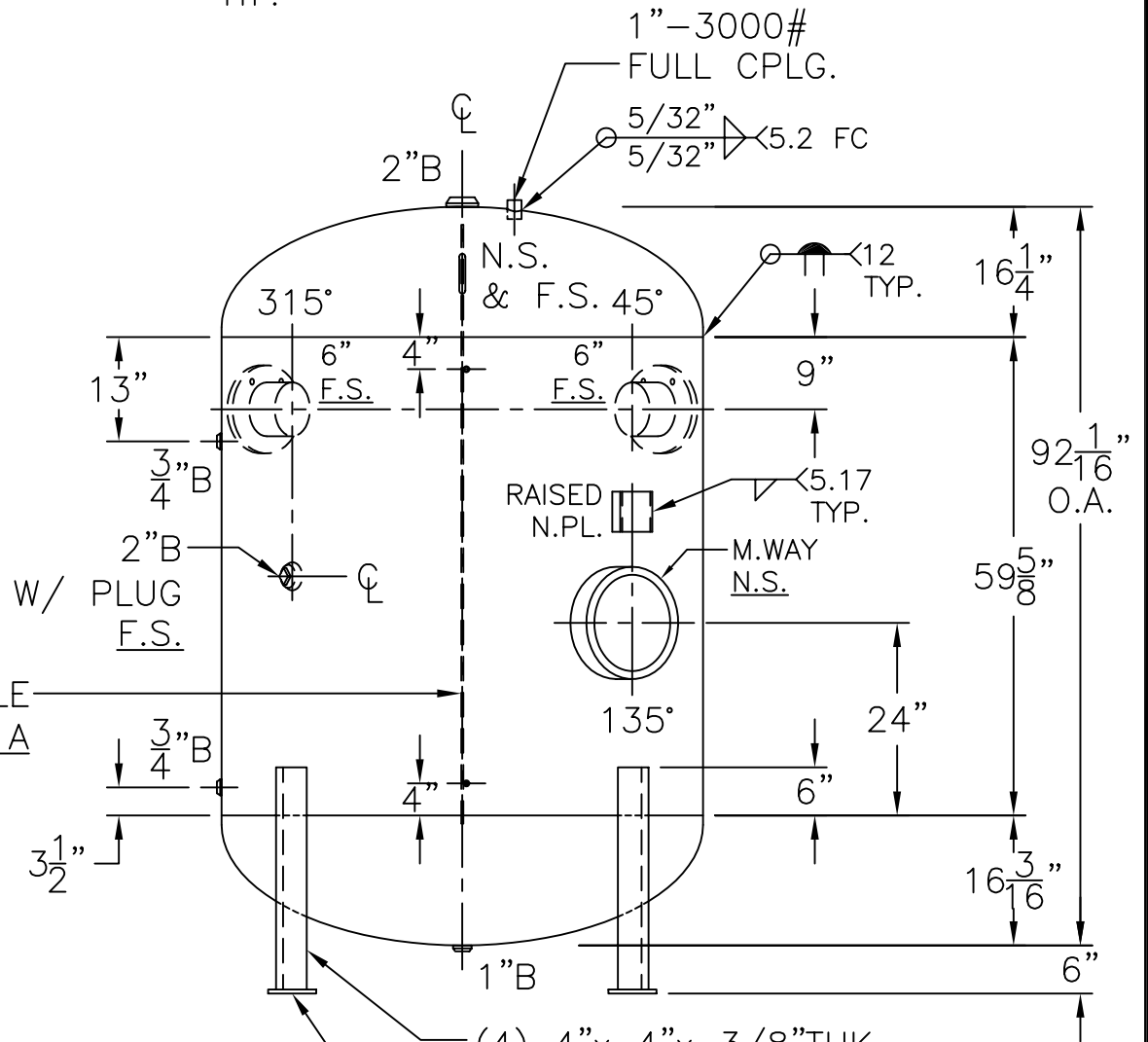
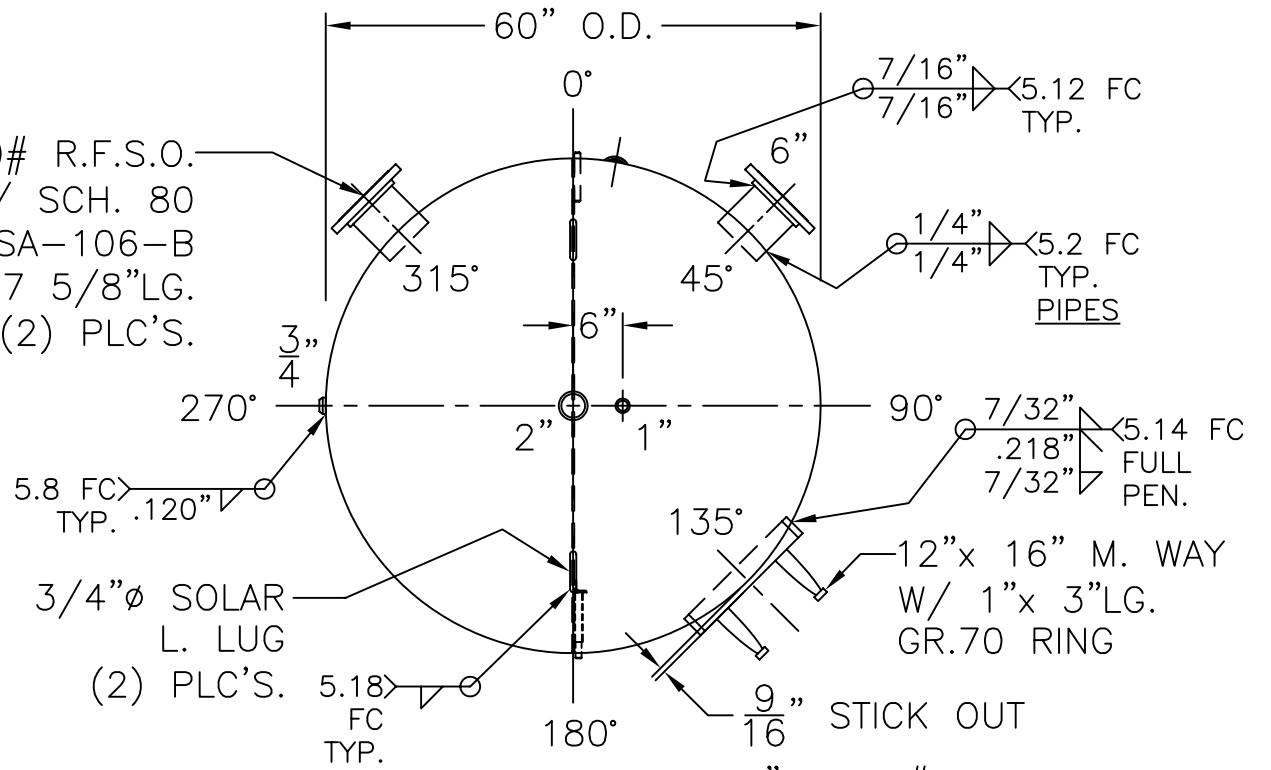


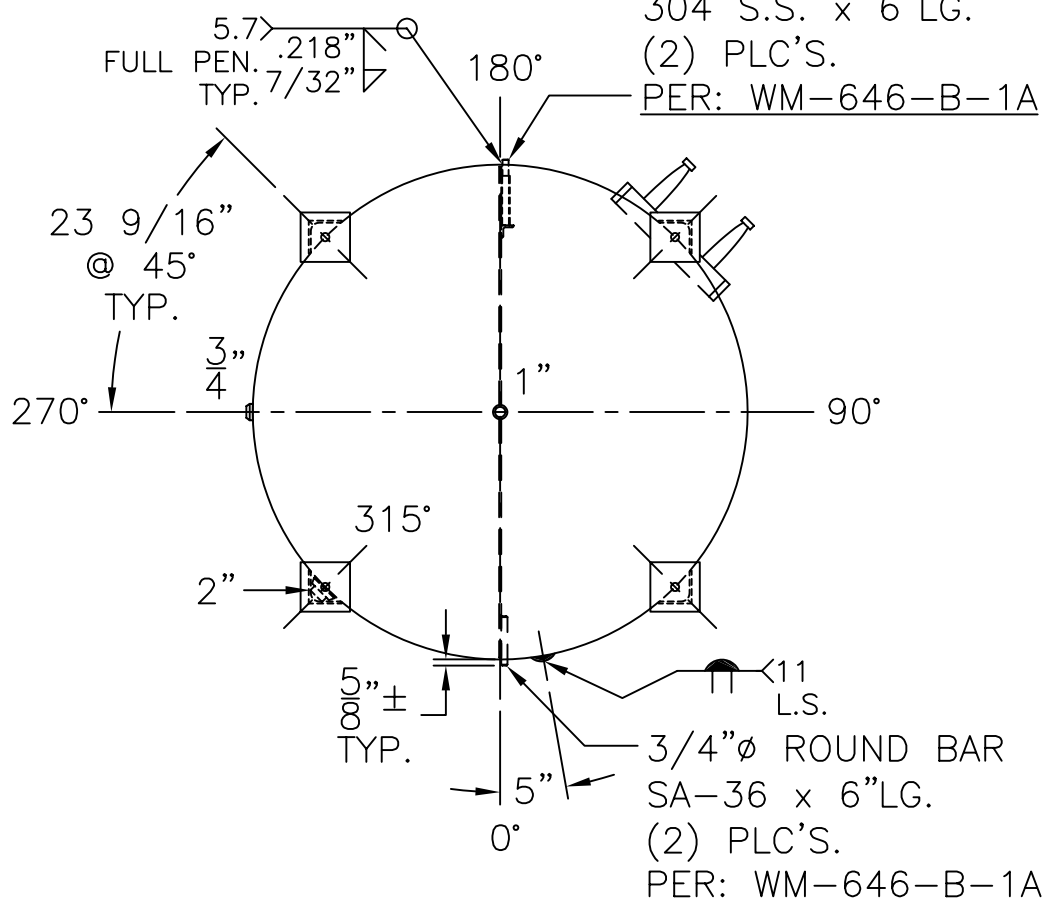
6"-150# R.F.S.O.
 FLG. W/ SCH. 80
 SA-106-B
 PIPE x 7 5/8" LG.
 (2) PLC'S.



1/4" THK. - INT. BAFFLE
 PER: WM-646-B-1A

(4) 4" x 4" x 3/8" THK.
 x 27 11/16" LG. ANGLE LEG
 (4) 6" x 6" x 1/2" THK.
 PAD W/ 7/8" Ø HOLE
 FOR 5/8" Ø x 8" LG. BOLTS
 GRADE 5 OR BETTER
 6" EMBEDMENT

3/4" Ø ROUND BAR
 304 S.S. x 6" LG.
 (2) PLC'S.
 PER: WM-646-B-1A



NOTE: 1) HYDRO @ 163 PSIG. MIN.
 2) WELD 3/4" Ø ROUND BARS TO SHELL
 AFTER HEADS ARE IN PLACE.

SHELL / HEADS		.250" SA-455 2:1 S.E. (.234" MIN.)	
M.A.W.P.	125 PSIG. @ 250 °F		
M.D.M.T.	0 °F @ 125 PSIG.		
ASME SECTION	VIII DIV. 1, 2007 ADD. 2008		
X-RAY:	RT-4 SPOT L.S. ONLY		
GALLONS:	1000	WT.	2058 LBS.
SERIAL NO.			
N.B.			
FOR: VERT. CHILLED WATER TANK		WM-646-B	
SURFACE AREA = 135.4 SQ. FT.		REV. 4-3-09	
INSIDE: UNPAINTED		DATE: 3-26-09	
OUTSIDE: SHOP PRIME			
LEG-ZONE 4-2 KM.			
BY: E.S. / STEVE SCALE: 1/2" = 12"			
ROY E. HANSON JR. MFG.			
1600 E. WASHINGTON BLVD.			
LOS ANGELES, CA 90021			