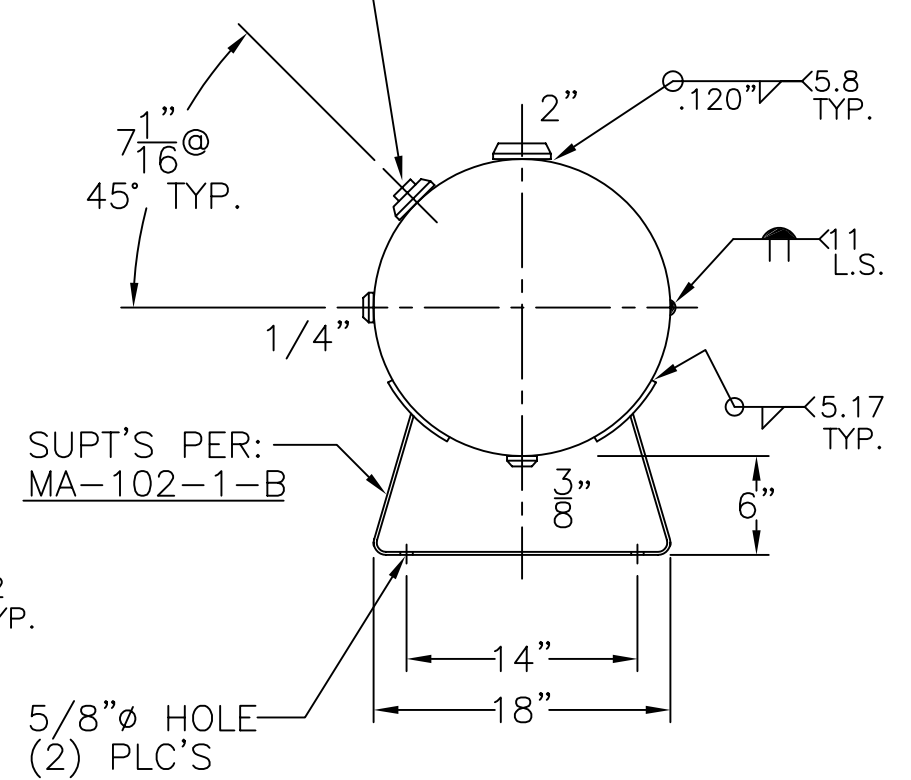


1 1/2" R W/C.I. PLUG
 INSP. OPENING
 (2) PLC'S



NOTE: 1) HYDRO @ 261 PSIG. MIN.

HEADS	.135" SA-414-G 2:1 S.E.	18-HA-73-W	REV. 8-27-08
	JOGGLE		DATE: 7-31-81
SHELL	.164" SA-414-G	FOR: HANSON STANDARD	
		HORIZ. AIR TANK	
M.A.W.P. 200 PSIG. @ 400 °F		INSIDE: UNPAINTED	
M.D.M.T. -20 °F @ 200 PSIG.		OUTSIDE: PRIME	
ASME. SECTION VIII DIV. 1, 2007 ADD 2007		CAD-"B" SIZED UNDER "STD"-SERIES	
X-RAY: RT-NO		BY: J.G.	SCALE: 1"=12"
GALLONS: 73 WT. 233 LBS.		ROY E. HANSON JR. MFG.	
SERIAL NO.		1600 E. WASHINGTON BLVD.	
N.B.		LOS ANGELES, CA 90021	