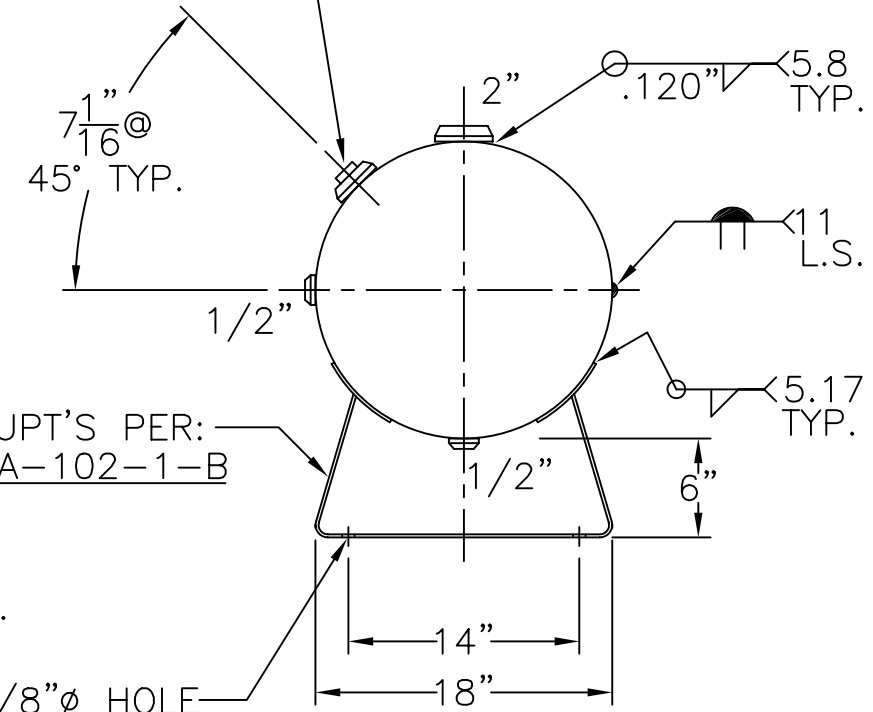


1 1/2" R W/STL. PLUG
 INSP. OPENING
 (2) PLC'S



SUPT'S PER:
 MA-102-1-B

5/8" Ø HOLE
 (2) PLC'S

NOTE: 1) HYDRO @ 290 PSIG. MIN.

HEADS	.156" SA-414-G 2:1 S.E.	18-HD-73-W	REV. 10-2-02
	JOGGLE		DATE: 11-28-86
SHELL	.179" SA-414-G	FOR: HANSON STANDARD HORIZ. AIR TANK	
		INSIDE: UNPAINTED	
M.A.W.P. 300 PSIG. @ 400 °F		OUTSIDE: PRIME	
M.D.M.T. -20 °F @ 300 PSIG.		CAD-"B" SIZED UNDER "STD"-SERIES	
ASME. SECTION VIII DIV. 1, 2001		BY: J.G. SCALE: 1"=12"	
X-RAY: RT-NO		ROY E. HANSON JR. MFG. 1924 COMPTON AVE. LOS ANGELES, CA 90011	
GALLONS: 73	WT. 244 LBS.		
SERIAL NO.	N.B.		