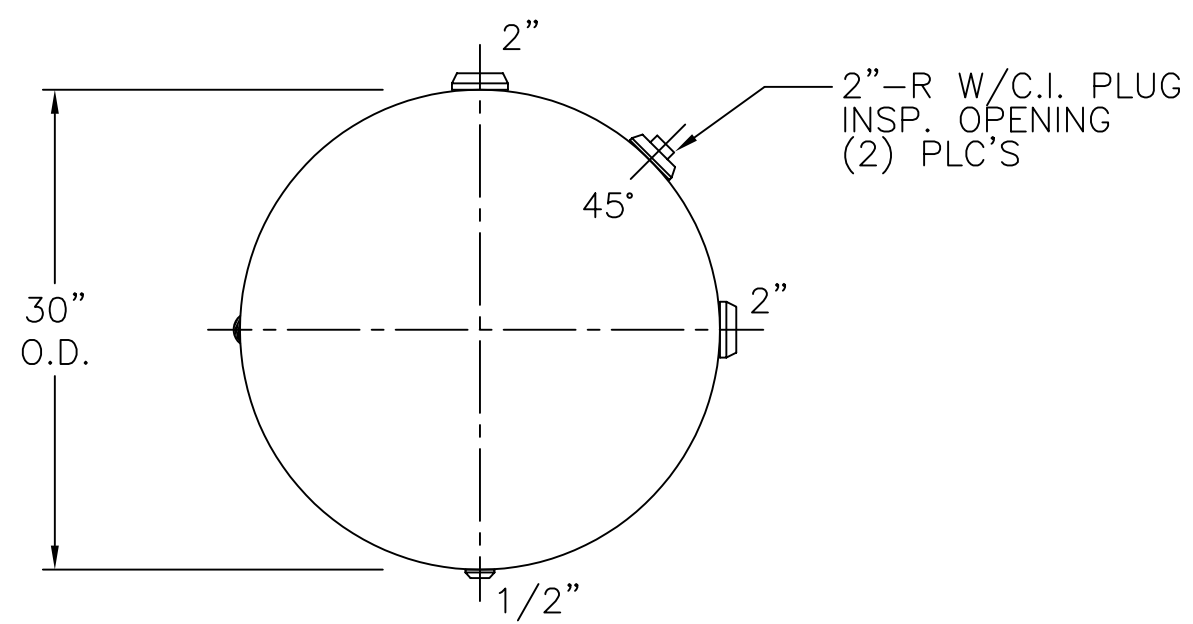


SUPPORTS PER:
 MA-102-3-C
 W/NO PADS

(2) 5/8"Ø HOLE



VIEW W/OUT SUPT'S

NOTE: 1) HYDRO @ 392 PSIG. MIN.

SHELL / HEADS	.250" SA-455 2:1 S.E.	30-HD-240-W	REV. 8-8-08
	(.245"MIN.) JOGGLE		DATE: 4-5-96
	.259 OFFSET	FOR: HANSON STANDARD	
		HORIZ. AIR TANK	
	.248" SA-455	SURFACE AREA = 58.7 SQ. FT.	
		INSIDE: UNPAINTED	
M.A.W.P.	300 PSIG. @ 400 °F	OUTSIDE: PRIME	
M.D.M.T.	-20 °F @ 300 PSIG.	CAD-"B" SIZE UNDER "STD"-SERIES	
ASME SECTION VIII	DIV. 1, 2007 ADD 2007	BY: J.G.	SCALE: 1"=12"
X-RAY:	RT-4 SPOT L.S. NOT G.S.	ROY E. HANSON JR. MFG.	
GALLONS:	240	WT. 632	LBS.
SERIAL NO.		1600 E. WASHINGTON BLVD. LOS ANGELES, CA 90021	