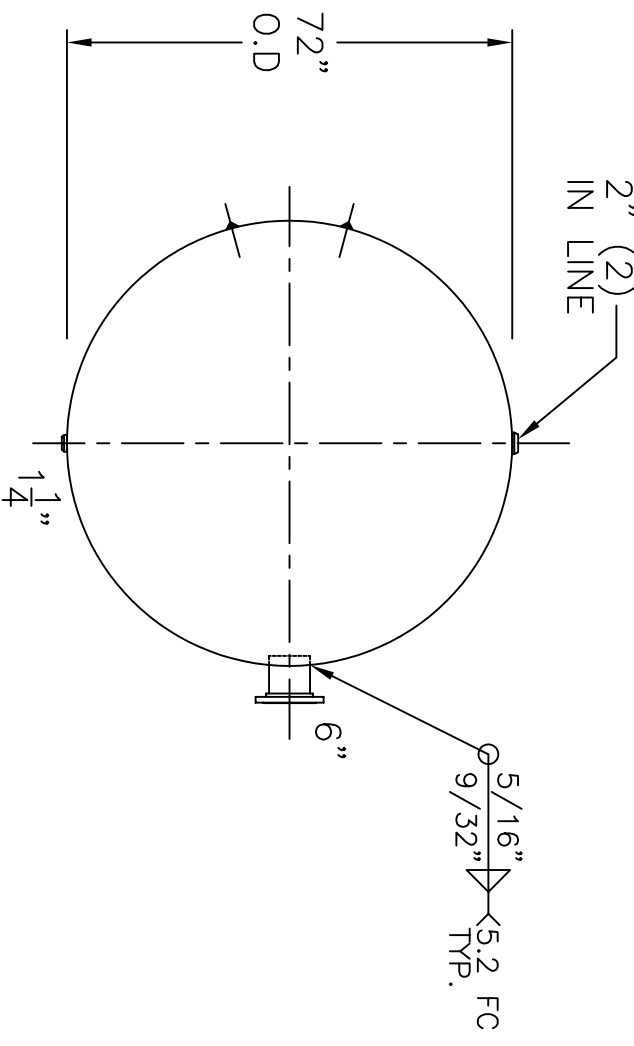


NOTE: 1) WELD TO, OR JOINING SA-612 HAVE W.P.S. W/SUFFIX "B".  
 2) HYDRO @ 179 PSIG. MIN.



VIEW W/OUT SUPT'S

SHELL / HEADS		.260" SA-612 2:1 S.E. (.249" MIN.)	
		.281" SA-455	
M.A.W.P.	137 PSIG. @ 400 °F		
M.D.M.T.	-20 °F 137 PSIG		
ASME SECTION VIII DIV. 1, 2010 ADD 2010			
X-RAY: RT-4 SPOT L.S. ONLY			
GALLONS:	3800	WT. 5134 LBS.	
SERIAL NO.			
N.B.			
72-HQ-3800-W		REV. 8-24-11	
		DATE: 1-4-02	
FOR: HANSON STANDARD			
HORIZ. AIR TANK.			
UW-21(b)			
INSIDE: UNPAINTED			
OUTSIDE: PRIME			
CAD "B" SIZE UNDER "STD"-SERIES			
BY: J.G.		SCALE: 3/8"=12"	
<b>ROY E. HANSON JR. MFG.</b>			
1600 E. WASHINGTON BLVD. LOS ANGELES, CA 90021			