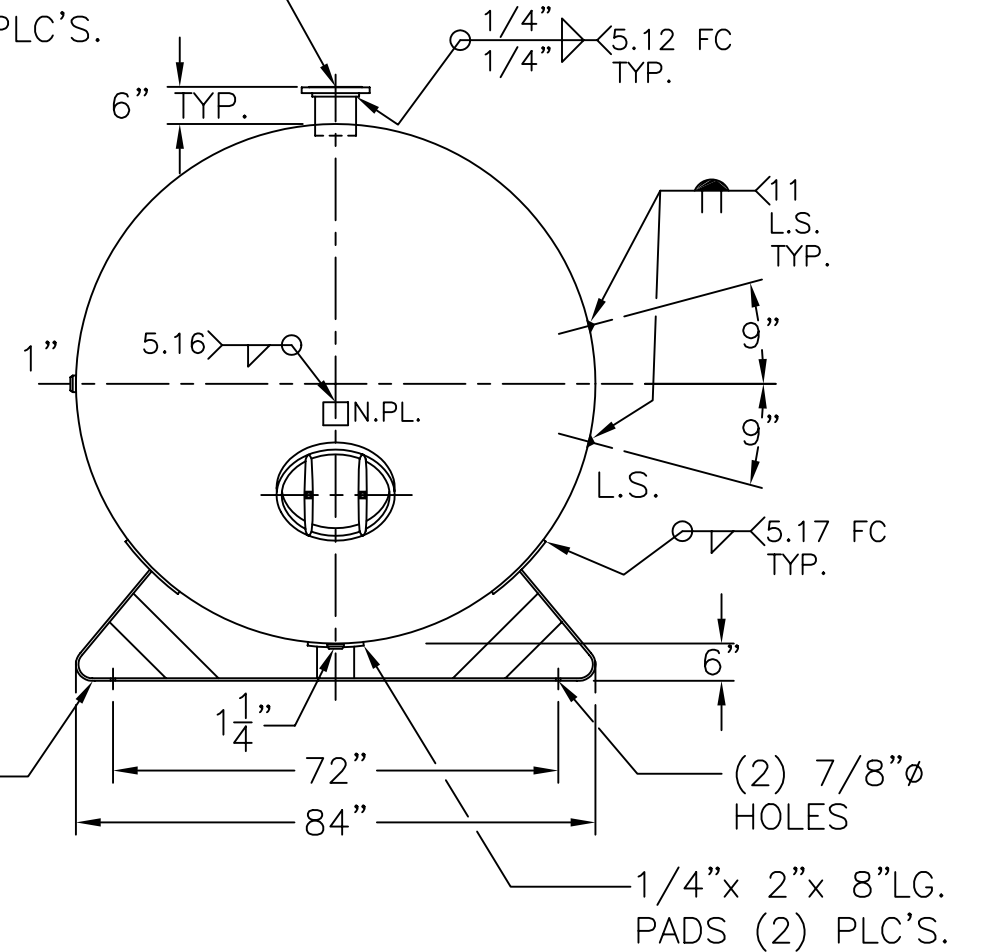
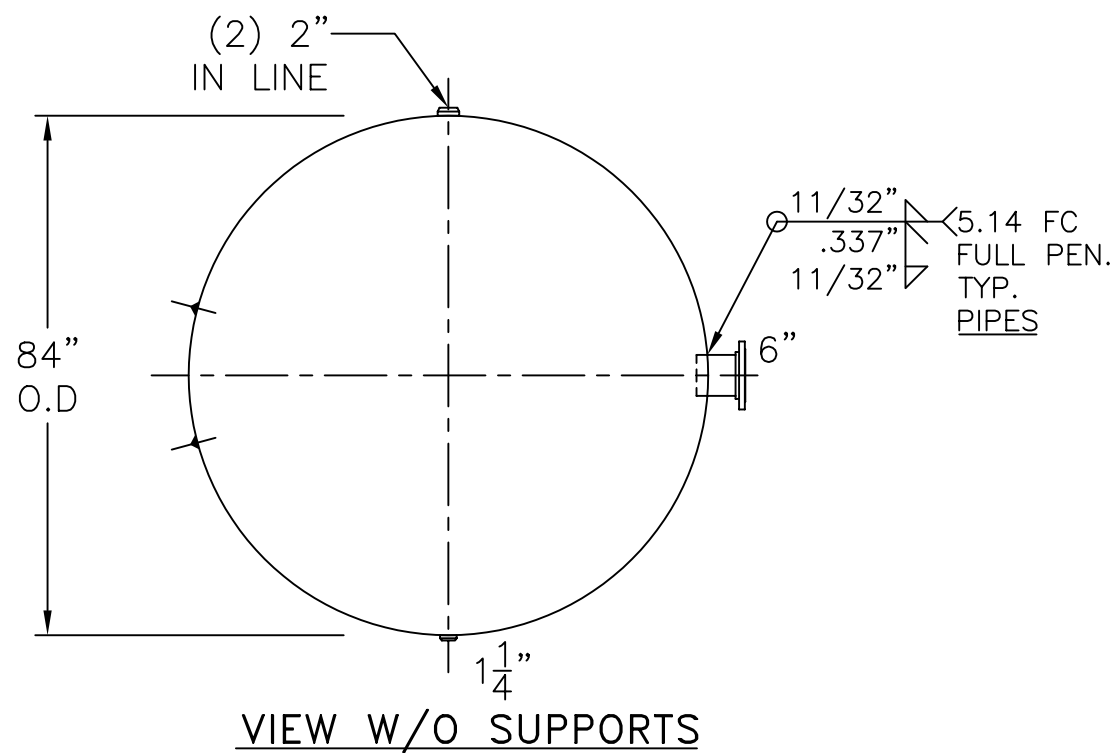


6"-150# R.F.S.O.
FLG. W/ SCH. 120
PIPE x 7 5/8" LG.
(2) PLC'S.



SUPPORTS PER:
84-HP-500-W-1C



NOTE: 1) HYDRO @ 219 PSIG. MIN.

HEADS	LEFT - .375" SA-455 2:1 S.E. (.355" MIN.)	84-HM-5000-W	REV. 4-20-07	
	RIGHT - .375" SA-455 2:1 S.E. (.360" MIN.)		DATE: 4-16-07	
	SHELL	.337" SA-455	FOR: HANSON STANDARD HORIZ. AIR TANK	
	M.A.W.P. 165 PSIG. @ 400 °F M.D.M.T. -20 °F @ 165 PSIG ASME. SECTION VIII DIV. 1, 2004 ADD 2006 X-RAY: RT-4 100% L.S. & SPOT ALL G.S. GALLONS: 5000 WT. 7477 LBS. SERIAL NO. N.B.		INSIDE: UNPAINTED OUTSIDE: PRIME CAD-"B" SIZE UNDER "STD"-SERIES BY: E.S. SCALE: 3/8"=12" ROY E. HANSON JR. MFG. 1600 E. WASHINGTON BLVD. LOS ANGELES, CA 90021	