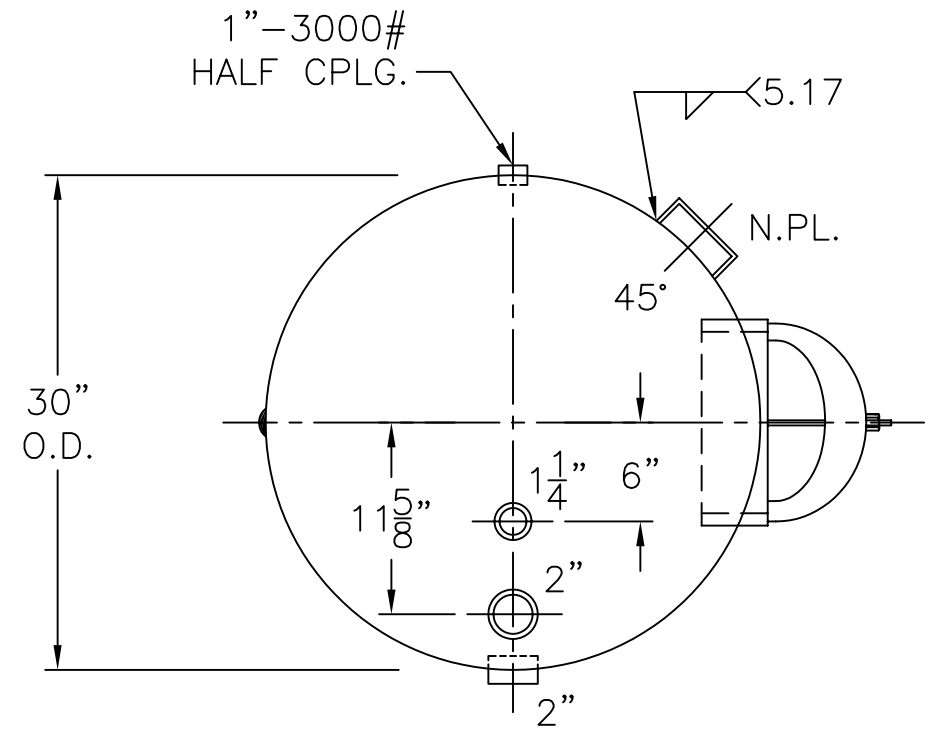


- 4) 4-1-04 PROOF TEST.
- 3) EXTEND ALL CPLGS. 5/8" INSIDE.
- 2) HYDRO @ 240 PSIG. MIN.

NOTE: 1) SEAL ALL OPENINGS TO KEEP CEMENT MOIST TO PREVENT CRACKING.



VIEW W/OUT SUPPORTS

HEADS	.166" SA-414-G 2:1 S.E.	CS-30-180-H	REV. 9-14-04
	JOGGLE		DATE: 10-20-92
SHELL	.165" SA-414-G	FOR: HANSON STANDARD HORIZ. HOT WATER TANK	
		44.4 SQ. FT. SURFACE AREA. THIS TANK IS SHIPPED WITH ALL OPENINGS SEALED. THE CEMENT LINING MUST BE KEPT MOIST BEFORE, DURING, AND AFTER INSTALLATION TO PREVENT CRACKING OF THE CEMENT.	
M.A.W.P. 160 PSIG. @ 210 °F		INSIDE: CEMENT LINED (163)	
ASME. SECTION IV 2001 ADD 2003		OUTSIDE: PRIME	
X-RAY: RT-NO / H.L.W.		CAD-"B" UNDER "STD"-SERIES	
GALLONS: 180 WT. 721 LBS.		BY: E.S. SCALE: 1"=12"	
SERIAL NO.		ROY E. HANSON JR. MFG.	
N.B.		1924 COMPTON AVE. LOS ANGELES, CA 90011	