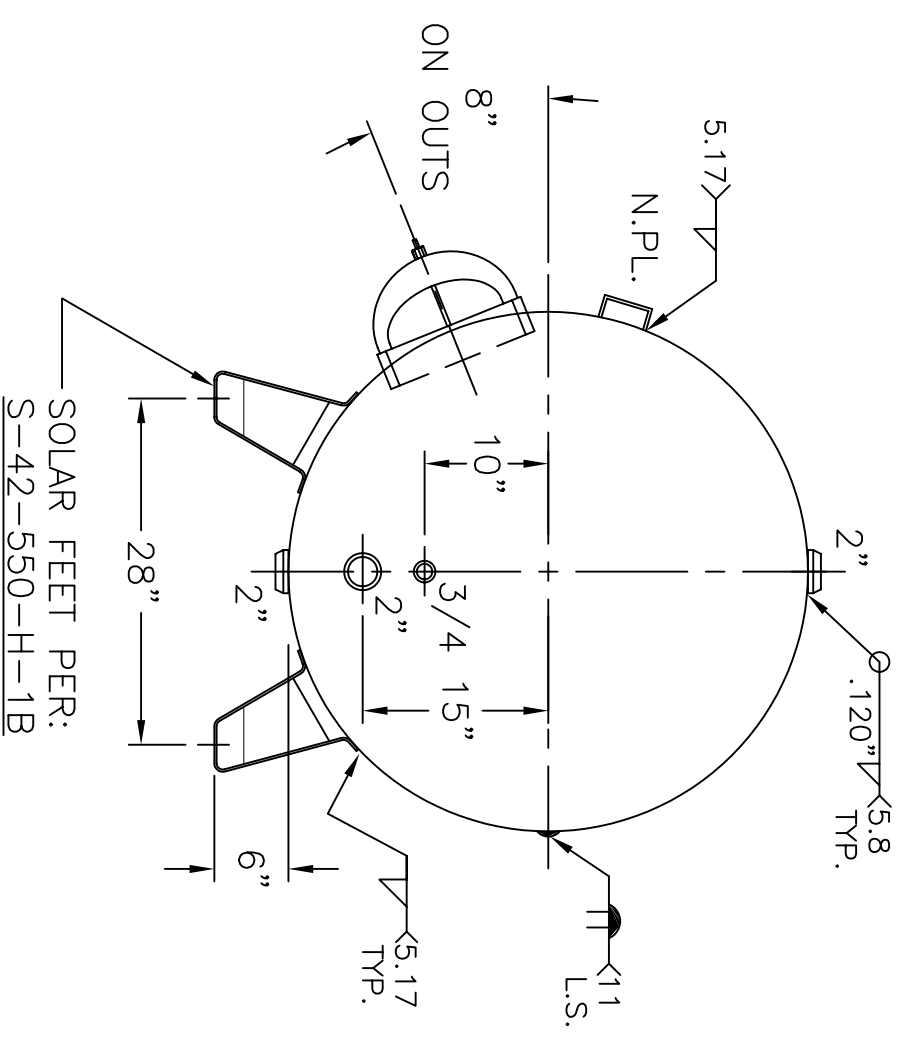


VIEW W/O SUPPORTS



NOTE: 1) 3-19-09 PROOF TEST.  
 2) INSTALL (2) 1 5/16" x 30" LG. RIGID MAG. ANODES.  
 3) HYDRO @ 240 PSIG. MIN.

HEADS	.205" SA-455	2:1	S.E.
SHIELD	JOGGLE		
	.175" SA-414-G		
M.A.W.P.	160	PSIG.	@ 210 °F
ASME SECTION	IV	2010	ADD 2010
X-RAY:	RT-NO / H.L.W.		
GALLONS:	462	WT.	811 LBS.
SERIAL NO.			
N.B.			
INSIDE:	GLASS LINED		
OUTSIDE:	PRIME		
CAD "B" SIZE UNDER "STD"-SERIES			
BY: E.S.	SCALE: 3/4"=12"		
FOR: HANSON STANDARD			
HORIZ. HOT WATER TANK			
SURFACE AREA = 84.3 SQ. FT.			
REV. 6-14-11	DATE: 7-25-08		
GS-42-462-H			

**ROY E. HANSON JR. MFG.**  
 1600 E. WASHINGTON BLVD.  
 LOS ANGELES, CA 90021