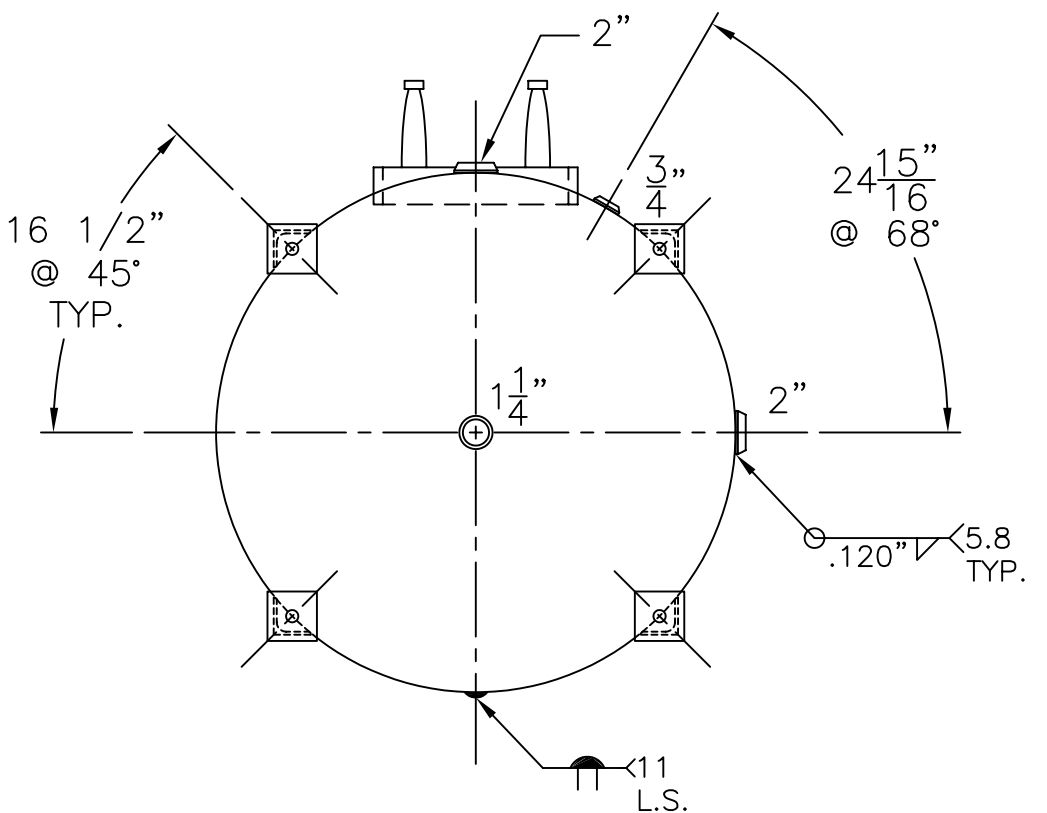


(4) 3" x 3" x 1/4" THK. x 21 5/8" LG. ANGLE LEG

(4) 4" x 4" x 3/8" THK. PAD W/ 7/8" ϕ HOLE FOR 5/8" ϕ x 8" LG. BOLTS GRADE 5 OR BETTER 6" EMBEDMENT



NOTE: 1) HYDRO @ 240 PSIG.
2) 4-1-04 PROOF TEST.

SHELL / HEADS	
.205" SA-455 2:1 S.E.	
JOGGLE	
.238 OFFSET - RED STRIPE	
.175" SA-414-G	
M.A.W.P. 160 PSIG. @ 180 °F	
ASME. SECTION IV 2007 ADD 2009	
X-RAY: RT-NO / H.L.W.	
GALLONS: 534	WT. 877 LBS.
SERIAL NO.	
N.B.	

ES-42-534-V	REV. 8-31-10
FOR: HANSON STANDARD	DATE: 9-6-89
VERT. HOT WATER TANK	
SURFACE AREA = 94.4 SQ. FT.	
INSIDE: EPOXY LINED	
OUTSIDE: PRIME	
CAD "B" SIZE UNDER "STD"-SERIES	
LEG ZONE: 4-15 KM.	
BY: J.G.	SCALE: 3/4"=12"
ROY E. HANSON JR. MFG.	
1600 E. WASHINGTON BLVD.	
LOS ANGELES, CA 90021	