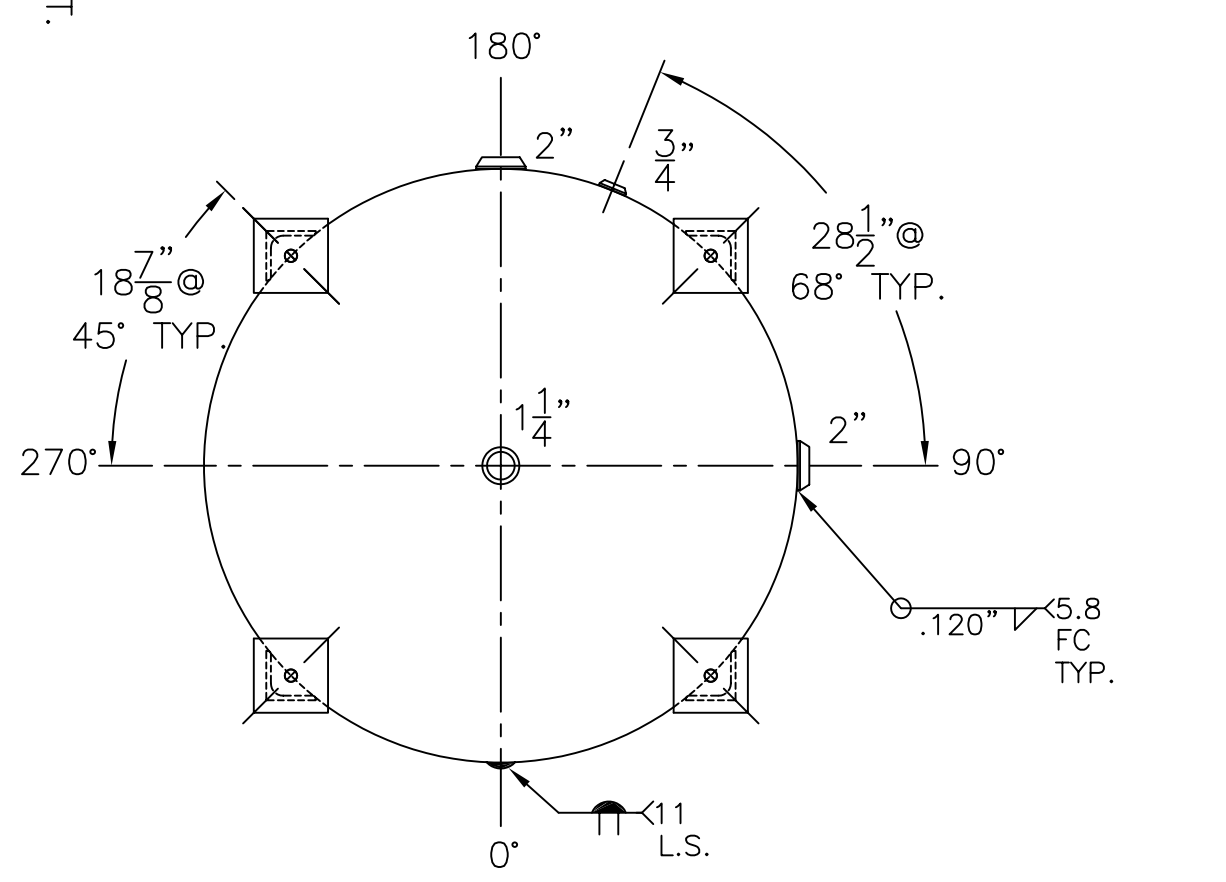


NOTE: 1) SHIP LOOSE W/(1) 1 5/16" x 108" LG. FLEX. MAG. ANODE.
 2) HYDRO @ 240 PSIG.
 3) 4-22-04 PROOF TEST.

(4) 4" x 4" x 3/8" THK. x 23 1/4" LG. ANGLE LEGS
 (4) 6" x 6" x 1/2" THK. PAD W/ 7/8" ϕ HOLE FOR 5/8" ϕ x 8" LG. BOLTS GRADE 5 OR BETTER 6" EMBEDMENT



SHELL / HEADS		M.A.W.P. 160 PSIG. @ 210 °F	
.200" SA-455		ASME SECTION IV 2010 ADD. 2010	
JOGGLE		X-RAY: RT-NO / H.L.W.	
.245" SA-455 2:1 S.E.		GALLONS: 800 WT. 1271 LBS.	
SERIAL NO.		N.B.	
GS-48-800-V		REV. 7-23-11	
FOR: HANSON STANDARD		DATE: 6-30-90	
VERT. WATER TANK.		SURFACE AREA = 125.0 SQ. FT.	
INSIDE: GLASS LINED		OUTSIDE: PRIME	
LEG-ZONE 4-15 KM.		CAD-"B" UNDER "STD"-SERIES	
BY: J.G.		SCALE: 3/4" = 1'	
ROY E. HANSON JR. MFG.		1600 E. WASHINGTON BLVD.	
LOS ANGELES, CA 90021			