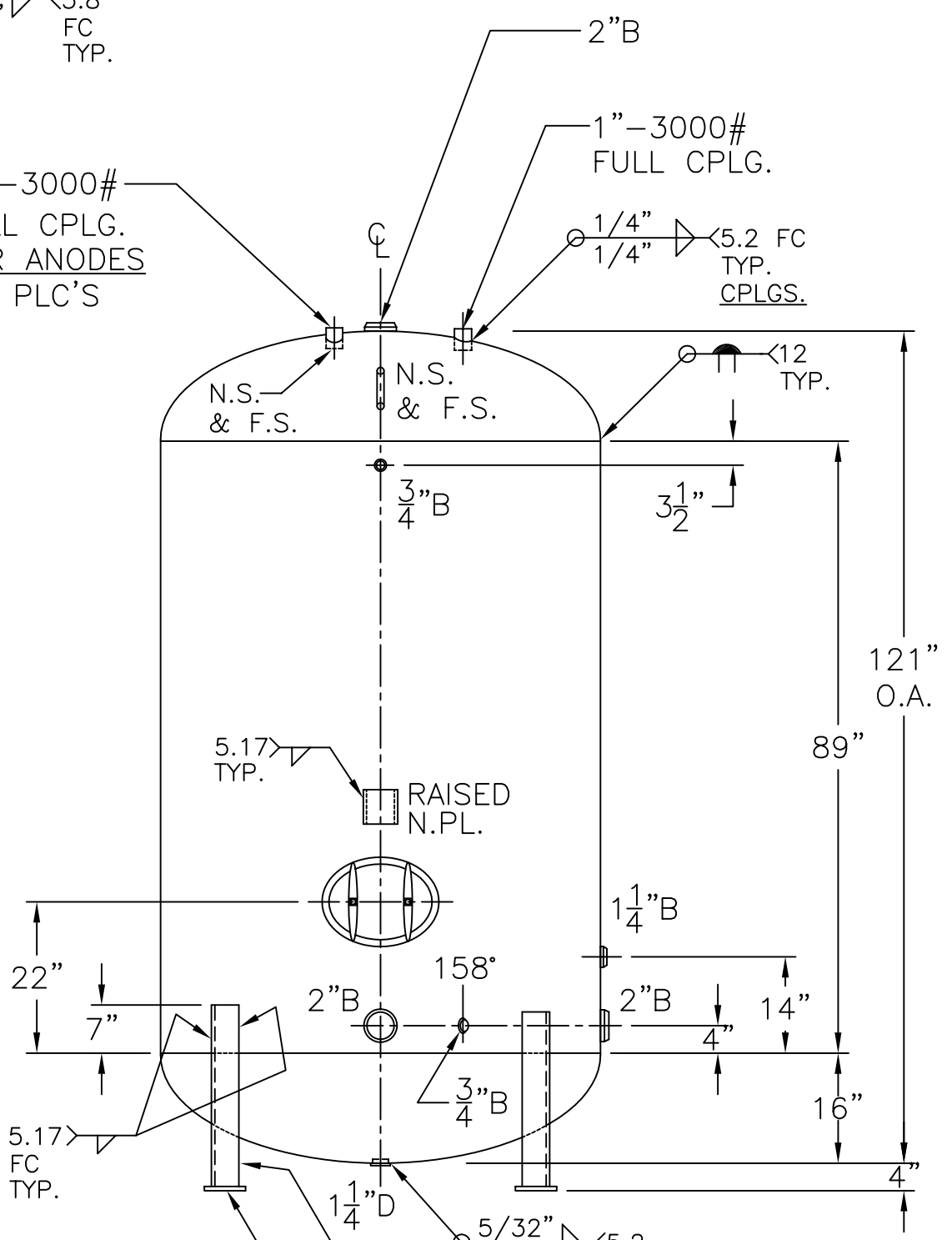
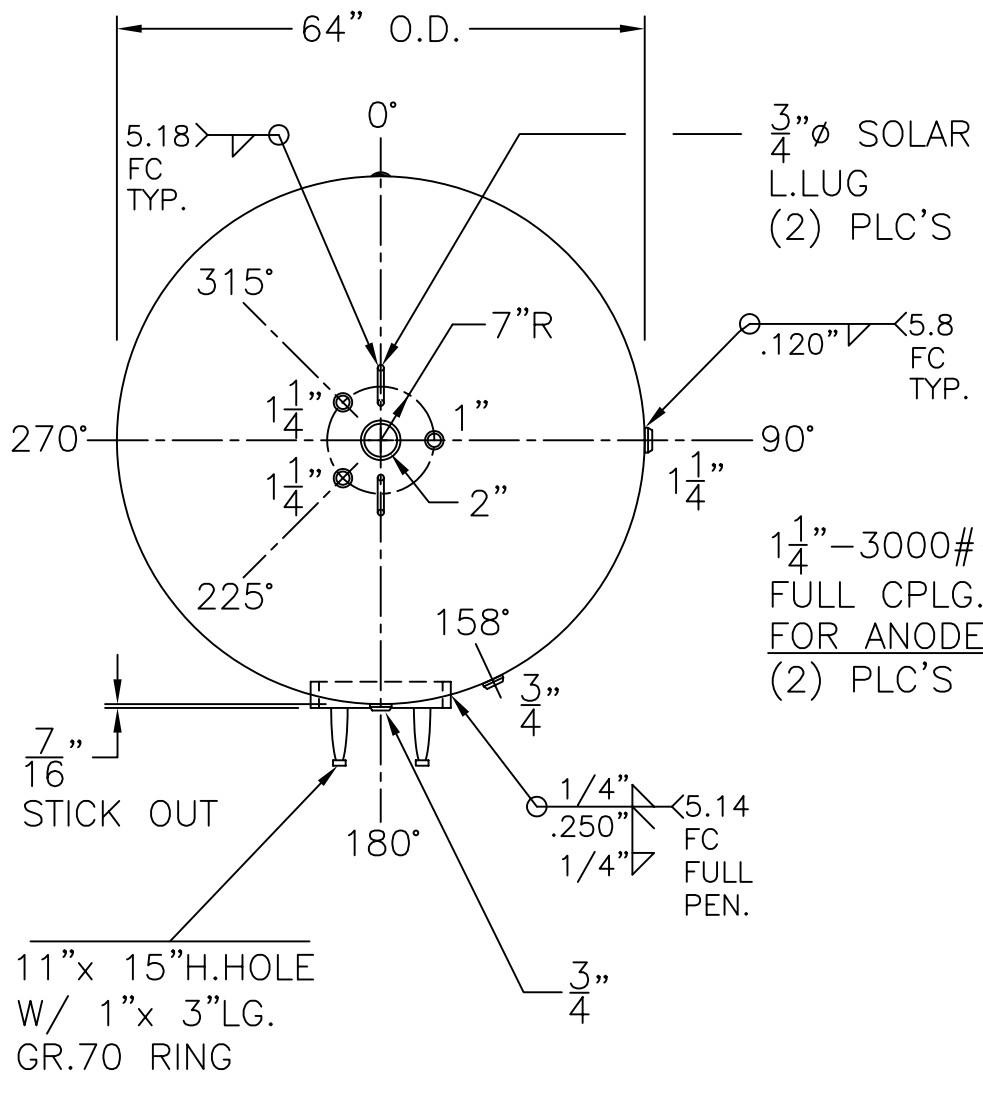
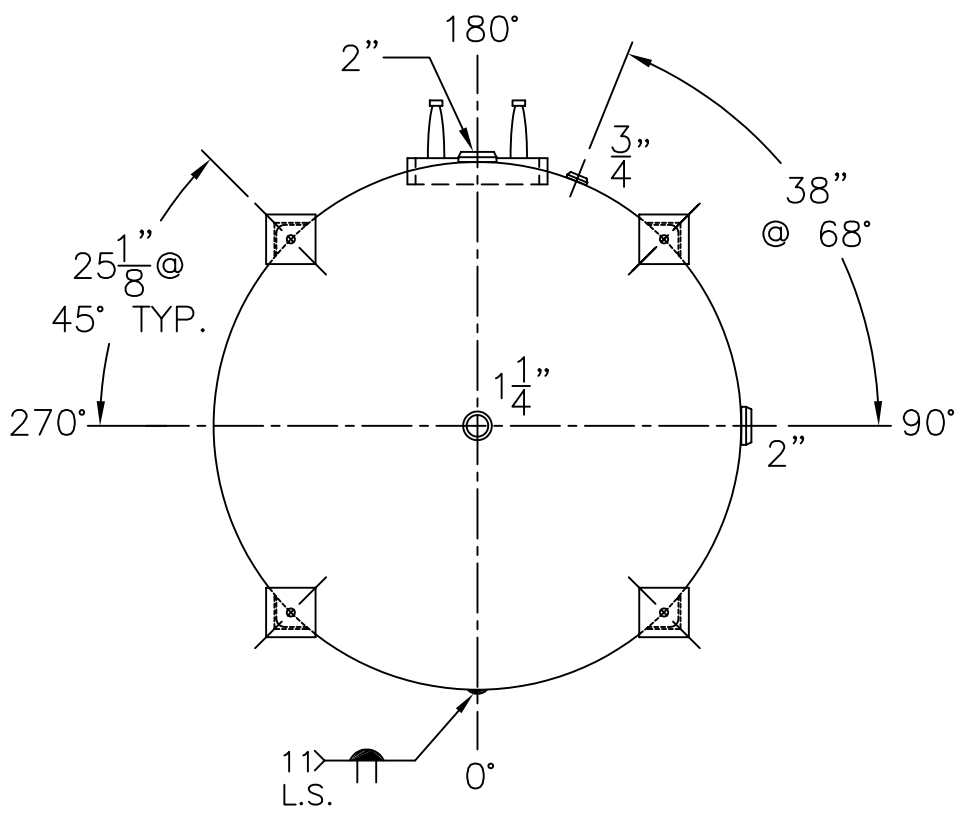


DATE	BY



- (4) 4"x 4"x 1/2" x 26 3/8" LG. ANGLE LEG
- (4) 6"x 6"x 5/8" THK. PAD W/ 1" Ø HOLE FOR 3/4" Ø x 8" LG. BOLTS GRADE 5 OR BETTER 6" EMBEDMENT



NOTE: 1) HYDRO @ 240 PSIG.  
 2) SHIP LOOSE W/(2) 1 5/16" x 96" LG. FLEX. MAG. ANODES.  
 3) 10-1-04 PROOF TEST.

SHELL / HEADS	.248" SA-455 2:1 S.E. (.216" MIN.)
M.A.W.P.	160 PSIG. @ 210 °F
ASME SECTION	IV 2010 ADD 2011
X-RAY	RT-NO / H.L.W
GALLONS	1500 WT. 2209 LBS.
SERIAL NO.	N.B.

GS-64-1500-V	REV: 1-19-12
FOR: HANSON STANDARD	DATE: 6-14-90
VERT. HOT WATER TANK	
SURFACE AREA = 184.3 SQ. FT.	
INSIDE: GLASS LINED	
OUTSIDE: S.BLAST AND PRIME	
LEG-ZONE 4-15 KM.	
CAD "B" SIZE UNDER "STD"-SERIES	
BY: J.G.	SCALE: 1/2"=12"
<b>ROY E. HANSON JR. MFG.</b>	
1600 E. WASHINGTON BLVD.	
LOS ANGELES, CA 90021	